

Hallway

DALI-2 APC - surface
EAN 4007841 058012
Article number 058012



Max. 25 x 3 m



IP54



10 Sek - 60 Min



2 - 2000 Lux



2 - 4 m

iQ

iQ-mode

Teach

Teach mode



Application
Controller

5 years

Herstellergarantie
steinel-
professional.de/
garantie



CE

Function description

The cleverer hallway sensor knows more. Perfect radial detection up to 25 m – ideal for long corridors and hallways. Reach can be adjusted in both directions. Contemporary Control PRO II design. Featuring Bluetooth technology. Interfaces for COM1, COM2, DALI-2 APC, DALI-2 IPD, KNX, IP and BT IPD (Slave).

Technical specifications

Dimensions (L x W x H)	62 x 123 x 123 mm	Optimum mounting height	2,8 m
With motion detector	Yes	HF-system	5,8 GHz
Manufacturer's Warranty	5 years	Detection	also through glass, wood and stud walls
Settings via	Bluetooth	Detection angle	Aisle, 360 °
With remote control	No	Angle of aperture	140 °
Version	DALI-2 APC - surface	Sneak-by guard	Yes
PU1, EAN	4007841058012	Capability of masking out individual segments	No
Type	Presence detector	Electronic scalability	Yes
Application, place	Indoors	Mechanical scalability	No
Application, room	Indoors, corridor / aisle	Reach, radial	25 x 3 m (75 m ²)
Colour	white	Reach, tangential	25 x 3 m (75 m ²)
Colour, RAL	9003	Transmitter power	< 1 mW
Includes corner wall mount	No	Functions	Semi-/fully automatic, Constant-lighting control, Lighting scenario, Master/slave override, Neighbouring group function, TouchDIM function, Normal / test
Installation site	ceiling		
Installation	Surface wiring, Ceiling		
IP-rating	IP54		
Ambient temperature	-20 – 50 °C		

Hallway

DALI-2 APC - surface
EAN 4007841 058012
Article number 058012



Technical specifications

Material	Plastic
Mains power supply	220 – 240 V / 50 – 60 Hz
Power supply, detail	max. 64 users
Steuerausgang, Dali	Addressable / broadcast 64 electronic ballasts
Technology, sensors	High frequency, Light sensor
Mounting height	2,00 – 4,00 m
Mounting height max.	4,00 m

mode, Pushbutton / switch mode,
Manual ON / ON-OFF, Constant-
lighting control ON-OFF

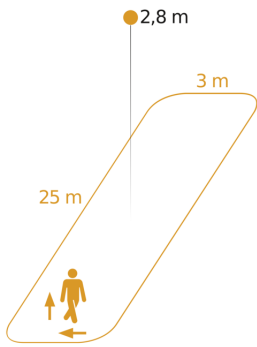
Twilight setting	2 – 2000 lx
Time setting	10 s – 60 Min.
Basic light level function	Yes
Basic light level function time	10 min, all day, all night
Main light adjustable	50 - 100 %
Twilight setting TEACH	No
Constant-lighting control	Yes
Interconnection	Yes
Type of interconnection	Master/slave
Interconnection via	Bluetooth, DALI bus

Hallway

DALI-2 APC - surface
 EAN 4007841 058012
 Article number 058012

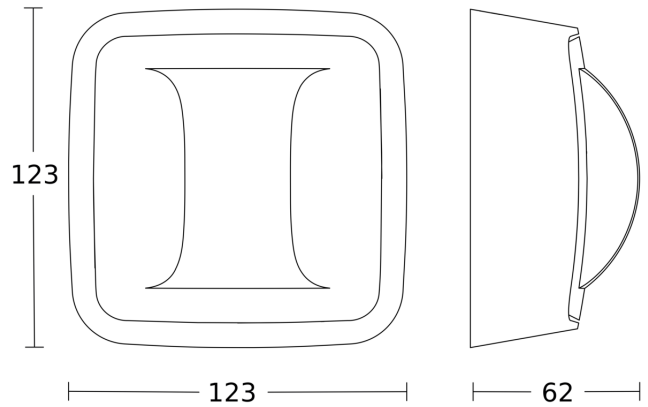


Detection Zone

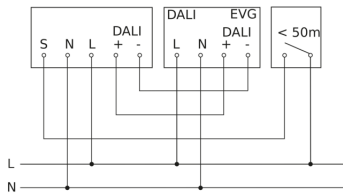


Possible mounting height: 2,00 m - 4,00 m
 Orange: radial and tangential

Dimension Drawing



Master circuit diagram



Master/slave interconnection circuit diagram

