

Presence detector - Professional Line

IR Quattro 8m

COM2 - Concealed wiring

EAN 4007841 000356

Article number 000356



infrared sensor
360°



max. 4 x 4 m
presence

2000 W

2000 W max.
(LED-ready)



IP20



ideal 2.5 - 8 m



indoor sensor

iQ

iQ-mode

Teach

Teach mode



energy saving

5 years

manufacturer's
warranty
[steinel-professional.de/garantie](https://www.steinel.de/garantie)

Function description

Squaring the circle. Infrared presence detector Presence Control PRO IR Quattro COM2 for indoors, ideal for small offices, store, service and utility rooms, washrooms and WCs, installation height up to 8 m, for switching light as well as HVAC 'ON' and 'OFF', 1760 switching zones for excellent detection quality, square presence detection zone covering 16 m², mechanically scalable.

IR Quattro 8m

COM2 - Concealed wiring

EAN 4007841 000356

Article number 000356



Technical specifications

Type	Presence detector
Dimensions (L x W x H)	76 x 120 x 120 mm
Mains power supply	230 V / 50 – 60 Hz
Sensor Technology	passive infrared
Application, place	Indoors
Installation site	ceiling
Installation	Concealed wiring
Mounting height	2,50 – 8,00 m
Reach, radial	5 x 5 m (25 m ²)
Reach, tangential	7 x 7 m (49 m ²)
Reach, presence	4 x 4 m (16 m ²)
Detection angle	360 °
Angle of aperture	160 °
Switching zones	1760 switching zones
Optimum mounting height	2,8 m
Mechanical scalability	Yes
Sneak-by guard	Yes
Capability of masking out individual segments	No
Electronic scalability	No
Twilight setting TEACH	Yes
Twilight setting	10 – 1000 lx
Time setting	30 s – 30 Min.
Output	2000 W
Fluorescent lamps, electronic ballast	1500 W

Fluorescent lamps, uncorrected	1000 VA
Fluorescent lamps, series-corrected	1000 VA
Fluorescent lamps, parallel-corrected	1000 VA
Switching output 1, low-voltage halogen lamps	2000 VA
LED lamps	100 W
LED lamps > 2 W	300 W
LED lamps > 8 W	600 W
Capacitive load in µF	176 µF
Constant-lighting control	No
Basic light level function	No
Functions	Normal / test mode, Semi-/fully automatic, Pushbutton / switch mode, Manual ON / ON-OFF
Settings via	Remote control, DIP switches, Potentiometers, Smart Remote
With remote control	No
Interconnection	Yes
Type of interconnection	Master/master, Master/slave
IP-rating	IP20
Material	Plastic
Ambient temperature	-25 – 55 °C
Application, room	one-person office, conference room / meeting room, duty room, recreation room, changing room, function room / ancillary room, kitchenette, Indoors
Colour	white
Colour, RAL	9010
Manufacturer's Warranty	5 years
Version	COM2 - Concealed wiring
PU1, EAN	4007841000356

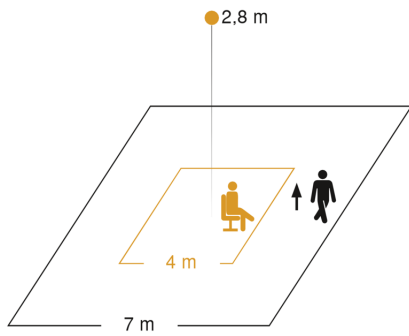
Accessories

EAN 4007841 000363	Surface-mounting adapter Control PRO AP Box (IP54)
EAN 4007841 003036	Control PRO guard cage
EAN 4007841 009151	Remote control Smart Remote
EAN 4007841 559410	Service remote control RC8

IR Quattro 8m

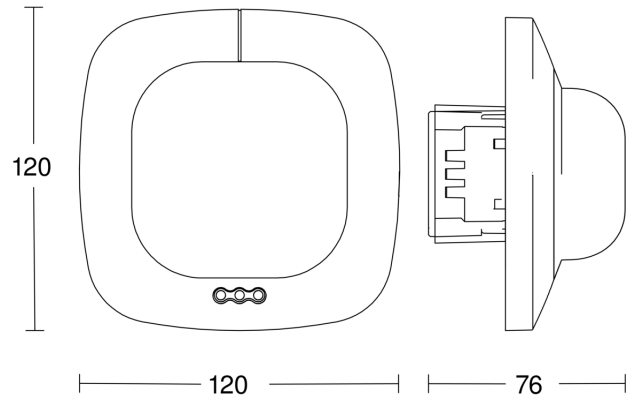
COM2 - Concealed wiring
 EAN 4007841 000356
 Article number 000356

Detection Zone

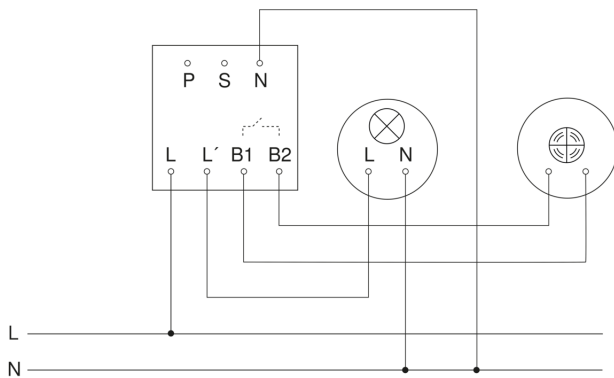


Mögliche Montagehöhe: 2,50 m – 8,00 m
 Orange: Präsenz
 Schwarz: tangential

Dimension Drawing



Master circuit diagram



Master/slave interconnection circuit diagram

