

Sensor-switched LED outdoor light

# L 244 LED

Anthracite

EAN 4007841 033248

Article number 033248



LED

30 years (Ø 4,5h / day)

3000 K

3000K warm-white



infrared sensor 180°



max. 10 m



IP44



2 - 2000 lux



8 sec - 35 min



shock proof IK07



energy saving

3 years

manufacturer's warranty  
steinel.de/garantie

## Function description

Lighting statements in a vertical design. The slimline L 244 LED sensor-switched outdoor light with high-quality stainless-steel panel in anthracite or stainless-steel look immerses the entrance in pleasantly soft ambient light (500 lm). Perfect illumination at a consumption of just 7,5 W. The IR sensor detects movements over a distance of up to 10 m. Angle of coverage: 180°.

# L 244 LED

Anthracite

EAN 4007841 033248

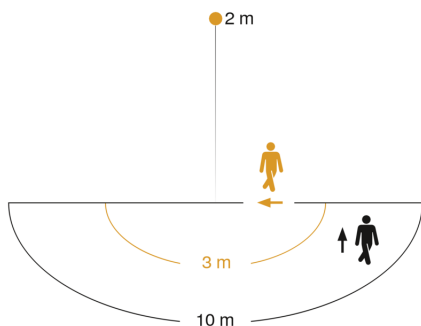
Article number 033248

## Technical specifications

Dimensions (L x W x H)	81 x 165 x 305 mm
Mains power supply	220 – 240 V / 50 – 60 Hz
Mounting height max.	3,00 m
Sensor Technology	passive infrared
Output	7,5 W
Interconnection	No
Slave modeselectable	No
Luminous flux	500 lm
Efficiency	67 lm/W
Colour temperature	3000 K
Colour variation LED	SDCM3
Colour Rendering Index	80-89
With lamp	Yes, STEINEL LED system
Lamp	LED cannot be replaced
LED life expectancy (max. °C)	50000 h
Drop in luminous flux in accordance with LM80	L70B10
Base	without
LED cooling system	Passive Thermo Control
With motion detector	Yes
Detection angle	180 °
Sneak-by guard	Yes
Capability of masking out individual segments	Yes

Electronic scalability	No
Mechanical scalability	No
Reach, radial	r = 3 m (14 m <sup>2</sup> )
Reach, tangential	r = 10 m (157 m <sup>2</sup> )
Photo-cell controller	Yes
Twilight setting	2 – 2000 lx
Time setting	8 s – 35 Min.
Basic light level function	No
Soft light start	No
Impact resistance	IK07
IP-rating	IP44
Protection class	II
Ambient temperature	-20 – 50 °C
Housing material	Stainless steel
Cover material	Plastic, opal
Manufacturer's Warranty	3 years
Settings via	Potentiometers
With remote control	No
Cover material	sticker
Version	Anthracite
PU1, EAN	4007841033248

## Detection Zone

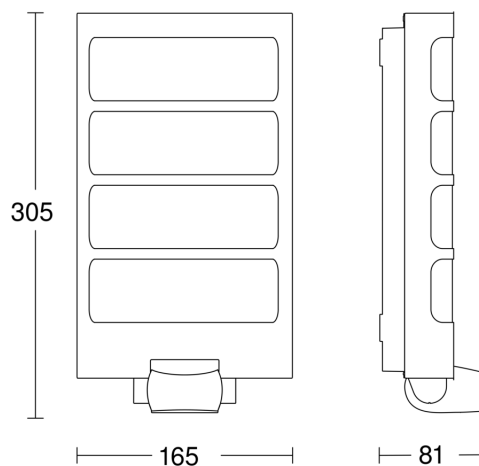


Mögliche Montagehöhe: 1,80 m – 3,00 m

Orange: radial

Schwarz: tangential

## Dimension Drawing



Sensor-switched LED outdoor light

# L 244 LED

Anthracite

EAN 4007841 033248

Article number 033248



## Circuit diagram

