

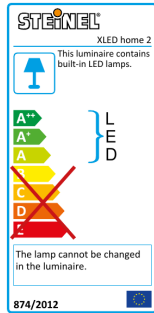
Sensor-switched LED floodlight

XLED home 2 Connect

black

EAN 4007841 065447

Article number 065447



LED

3000 K



energy saving



infrared sensor
140°



max. 10 m



IP44



Panel 180° hor.,
180° ver.



Sensor 90° ver.,
180° hor.



2 - 2000 lux



5 sec - 60 min

Function description

Top seller. Now even better. Sensor-switched outdoor floodlight XLED home 2 Connect for even greater security and wireless control via Bluetooth and via app. Fully swivelling LED panel in classy opal look. For the most exacting of demands on design and maximum lighting convenience. 1472 lm from a power consumption of just 13,5 W. Swivelling precision IR sensor (horizontally: 180°, vertically: 90°). 180° angle of coverage, 10 m reach. High thermal conductivity magnesium composite cooling system (HCMC).

Technical specifications

Dimensions (L x W x H)	161 x 180 x 218 mm
Mains power supply	220 – 240 V / 50 – 60 Hz
Mounting height max.	2,00 m
Sensor Technology	passive infrared
Output	13,5 W
Power consumption	0,5 W
Interconnection	Yes
Type of interconnection	Master/master, Master/slave
Luminous flux	1472 lm
Colour temperature	3000 K
Colour variation LED	SDCM3
Colour Rendering Index	80-89
With lamp	Yes, STEINEL LED system
Lamp	LED cannot be replaced
LED cooling system	HCMC (High Conductive Magnesium Composite)
With motion detector	Yes
Detection angle	180 °
Angle of aperture	90 °
Capability of masking out individual segments	Yes
Reach, radial	r = 5 m (39 m ²)

Reach, tangential	r = 10 m (157 m ²)
Photo-cell controller	Yes
Twilight setting	2 – 2000 lx
Time setting	5 s – 60 Min.
Basic light level function	No
Functions	Group parameterisation, Manual ON / ON-OFF, Neighbouring-group function, Master/slave override, Night economy mode, Digital timer
Settings via	Bluetooth
Soft light start	No
Continuous light	selectable
Impact resistance	IK03
IP-rating	IP44
Protection class	II
Ambient temperature	-20 – 40 °C
Housing material	HCMC
Cover material	Plastic, opal
Manufacturer's Warranty	5 years
Includes corner wall mount	No
PU1, net weight	0,576 kg
Version	black
PU1, EAN	4007841065447

<https://www.steinel.de>

Subject to technical modifications

09.2021

Page 1 from 2

Sensor-switched LED floodlight

XLED home 2 Connect

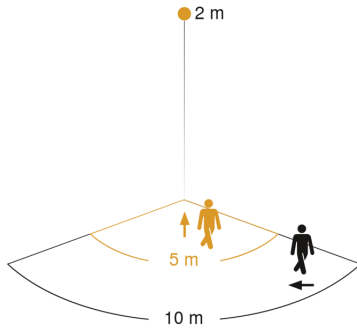
black

EAN 4007841 065447

Article number 065447



Detection Zone

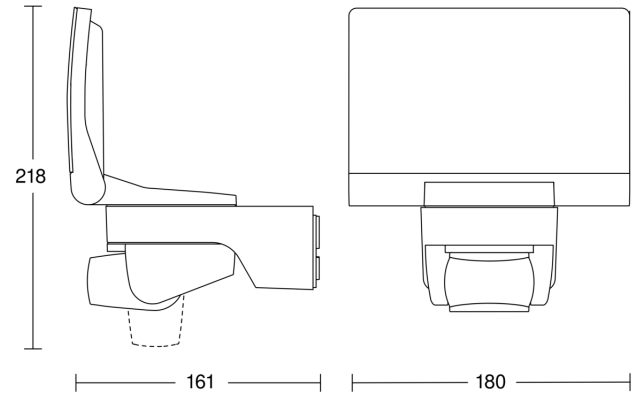


Mögliche Montagehöhe: 1,80 m – 2,00 m

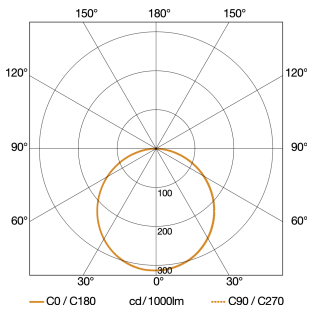
Orange: radial

Schwarz: tangential

Dimension Drawing



Light Distribution Curve



Output	13,5 W
With lamp	Yes, STEINEL LED system
Lamp	LED cannot be replaced
Luminous flux	1472 lm
Colour temperature	3000 K
Colour Rendering Index	80-89
LED cooling system	HCMC (High Conductive Magnesium Composite)

Master/master interconnection circuit diagram

