

HF 360-2

COM1 - in-ceiling installation
 EAN 4007841 079420
 Article number 079420



high frequency sensor 360°



max. Ø 12 m

2000 W

max. 2000 W



IP20



ideal 1 - 2.5 m



2 - 2000 lux



5 sec - 60 min

iQ

iQ-mode

Teach

Teach mode



energy saving

Function description

Smart surveillance professional. The HF 360-2 from the new Control PRO 2 range. Modern look and intelligent 360° HF sensor technology – ideal for stairwells and toilet facilities with cubicles. Conveniently adjusted and interconnected via Bluetooth. Interfaces: COM1, COM2, DALI-2 APC, DALI-2 IPD, KNX, IP and BT IPD (Slave). Mounting height up to 4 m. Reach: 12 m.

Technical specifications

Dimensions (L x W x H)	69 x 103 x 103 mm
With motion detector	Yes
Manufacturer's Warranty	5 years
Settings via	Bluetooth
With remote control	No
Version	COM1 - in-ceiling installation
PU1, EAN	4007841079420
Type	Presence detector
Application, place	Indoors
Application, room	function room / ancillary room, kitchenette, stairwell, WC / washroom, Indoors
Colour	white
Colour, RAL	9003
Includes corner wall mount	No
Installation site	ceiling
Installation	In-ceiling installation, Ceiling
IP-rating	IP20

Mounting height	2,50 – 4,00 m
Mounting height max.	4,00 m
Optimum mounting height	2,8 m
HF-system	5,8 GHz
Detection	also through glass, wood and stud walls
Detection angle	360 °
Angle of aperture	140 °
Sneak-by guard	Yes
Capability of masking out individual segments	No
Electronic scalability	Yes
Mechanical scalability	No
Reach, radial	Ø 12 m (113 m ²)
Reach, tangential	Ø 12 m (113 m ²)
Transmitter power	< 1 mW
Functions	Semi-/fully automatic, Master/slave override, Neighbouring group function,

HF 360-2

COM1 - in-ceiling installation
 EAN 4007841 079420
 Article number 079420



Technical specifications

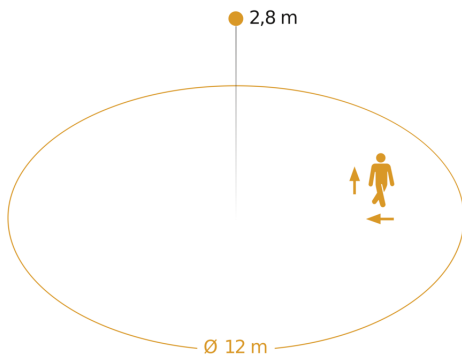
Ambient temperature	from -25 up to 50 °C
Material	Plastic
Mains power supply	220 – 240 V / 50 – 60 Hz
Switching output 1, resistive	2000 W
Switching output 1, number of LEDs / fluorescent lamps	8 pcs.
Switching output 1, floating	No
Switching output 1, low-voltage halogen lamps	1000 VA
Power consumption	0,5 W
Technology, sensors	High frequency, Light sensor

	Normal / test mode, Presence function, Group parameterisation, Lighting scenario, Manual ON / ON-OFF
Twilight setting	2 – 1000 lx
Time setting	30 s – 30 Min.
Basic light level function	No
Main light adjustable	No
Twilight setting TEACH	Yes
Constant-lighting control	No
Interconnection	Yes
Type of interconnection	Master/master, Master/slave
Interconnection via	Bluetooth
Product category	Presence detector

HF 360-2

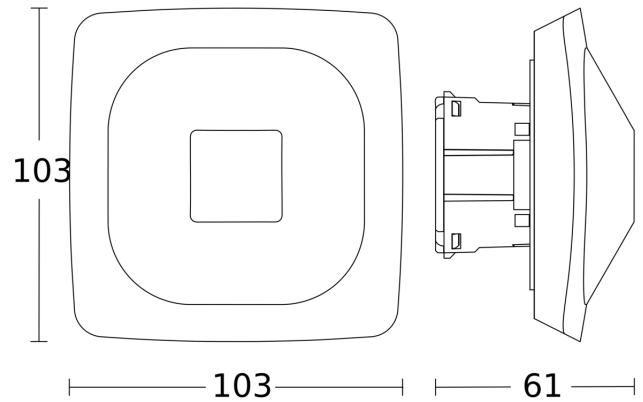
COM1 - in-ceiling installation
EAN 4007841 079420
Article number 079420

Detection Zone

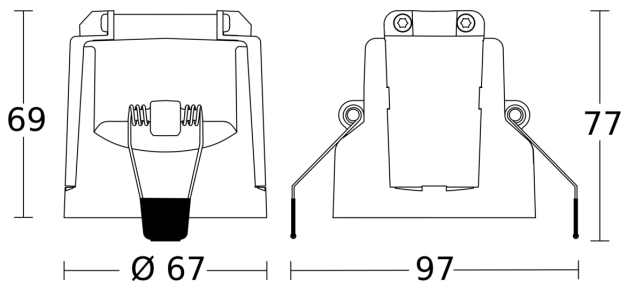


Possible mounting height: 2,50 m - 4,00 m
Orange: radial and tangential

Dimension Drawing 1



Dimension Drawing 2



Master circuit diagram

