

Hallway

DALI-2 Input Device - concealed
 EAN 4007841 064532
 Article number 064532



Max. 25 x 3 m



IP20



Helligkeit



Temperatur



Luftfeuchte



2 - 4 m



Input Device

5 years

Herstellergarantie
 steinel-professional.de/
 garantie



CE

Function description

The cleverer hallway sensor knows more. Perfect radial detection up to 25 m – ideal for long corridors and hallways. Reach can be adjusted in both directions. Contemporary Control PRO II design. Featuring Bluetooth technology. Interfaces for COM1, COM2, DALI-2 APC, DALI-2 IPD, KNX, IP and BT IPD (Slave).

Technical specifications

Dimensions (L x W x H)	67 x 103 x 103 mm	Technology, sensors	High frequency, Light sensor, Temperature, Air humidity
With motion detector	Yes	Mounting height	2,00 – 4,00 m
Manufacturer's Warranty	5 years	Mounting height max.	4,00 m
Settings via	Bluetooth, Bus	Optimum mounting height	2,8 m
With remote control	No	HF-system	5,8 GHz
Version	DALI-2 Input Device - concealed	Detection	also through glass, wood and stud walls
PU1, EAN	4007841064532	Detection angle	Aisle, 360 °
Type	Presence detector	Angle of aperture	140 °
Application, place	Indoors	Sneak-by guard	Yes
Application, room	Indoors, corridor / aisle	Capability of masking out individual segments	No
Colour	white	Electronic scalability	Yes
Colour, RAL	9003	Mechanical scalability	No
Includes corner wall mount	No	Reach, radial	25 x 3 m (75 m ²)
Installation site	ceiling	Reach, tangential	25 x 3 m (75 m ²)
Installation	Concealed wiring, Ceiling	Transmitter power	< 1 mW
IP-rating	IP20		
Ambient temperature	-20 – 50 °C		

Hallway

DALI-2 Input Device - concealed
EAN 4007841 064532
Article number 064532



Technical specifications

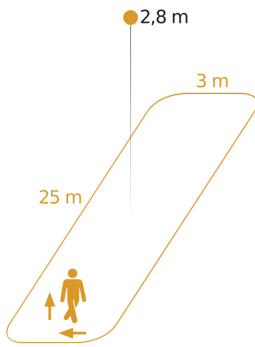
Material	Plastic
Mains power supply	12 – 23 V
Power supply, detail	DALI bus
Steuer Ausgang, Dali	Addressable/slave
With bus coupling	Yes

Basic light level function	No
Main light adjustable	No
Twilight setting TEACH	No
Constant-lighting control	No
Interconnection	Yes
Type of interconnection	Master/slave
Interconnection via	Bluetooth, DALI bus

Hallway

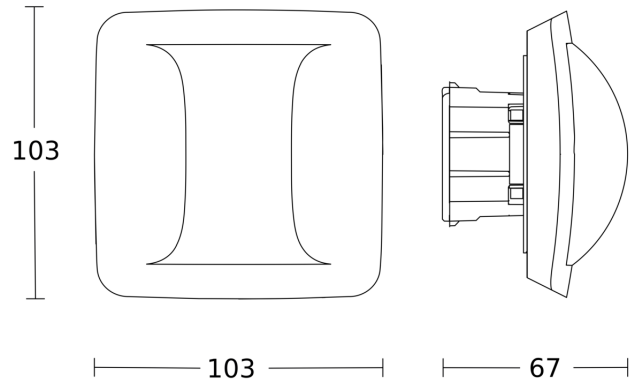
DALI-2 Input Device - concealed
EAN 4007841 064532
Article number 064532

Detection Zone



Possible mounting height: 2,00 m - 4,00 m
Orange: radial and tangential

Dimension Drawing



Circuit diagram

