

HF 360-2

COM2 - Concealed wiring
 EAN 4007841 064242
 Article number 064242



Hochfrequenz
Sensor 360°



Max. Ø 12 m

2000 W

2000 W Max. (LED-
fähig)



IP20



Montagehöhe max. 4
m



2 - 2000 Lux



10 Sek - 60 Min

iQ

iQ-mode

Teach

Teach mode



Energie sparen

Function description

Smart surveillance professional. The HF 360-2 from the new Control PRO 2 range. Modern look and intelligent 360° HF sensor technology – ideal for stairwells and toilet facilities with cubicles. Conveniently adjusted and interconnected via Bluetooth. Interfaces: COM1, COM2, DALI-2 APC, DALI-2 IPD, KNX, IP and BT IPD (Slave). Mounting height up to 4 m. Reach: 12 m.

Technical specifications

| | |
|----------------------------|--|
| Dimensions (L x W x H) | 61 x 103 x 103 mm |
| With motion detector | Yes |
| Manufacturer's Warranty | 5 years |
| Settings via | Bluetooth |
| With remote control | No |
| Version | COM2 - Concealed wiring |
| PU1, EAN | 4007841064242 |
| Type | Presence detector |
| Application, place | Indoors |
| Application, room | function room / ancillary room, kitchenette, stairwell, WC / washroom, Indoors |
| Colour | white |
| Colour, RAL | 9003 |
| Includes corner wall mount | No |
| Installation site | ceiling |
| Installation | Concealed wiring, Ceiling |
| IP-rating | IP20 |

| | |
|--|--|
| Power consumption | 0,7 W |
| Technology, sensors | High frequency, Light sensor |
| Mounting height | 2,50 – 4,00 m |
| Mounting height max. | 4,00 m |
| Optimum mounting height | 2,8 m |
| HF-system | 5,8 GHz |
| Detection | also through glass, wood and stud walls |
| Detection angle | 360 ° |
| Angle of aperture | 140 ° |
| Sneak-by guard | Yes |
| Capability of masking out individual segments | No |
| Electronic scalability | Yes |
| Mechanical scalability | No |
| Reach, radial | Ø 12 m (113 m ²) |
| Reach, tangential | Ø 12 m (113 m ²) |
| Transmitter power | < 1 mW |

HF 360-2

COM2 - Concealed wiring
 EAN 4007841 064242
 Article number 064242



Technical specifications

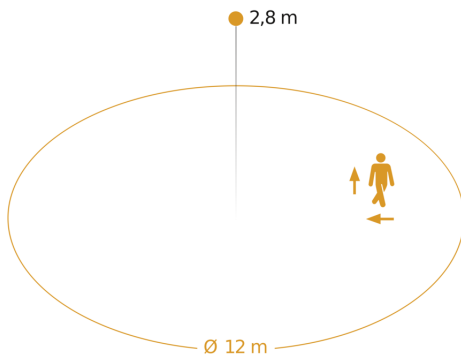
| | |
|--|--------------------------|
| Ambient temperature | -25 – 50 °C |
| Material | Plastic |
| Mains power supply | 220 – 240 V / 50 – 60 Hz |
| Switching output 1, resistive | 2000 W |
| Switching output 1, number of LEDs / fluorescent lamps | 8 pcs. |
| Switching output 1, floating | No |
| Switching output 2, resistive | 230 W |
| Switching output 2, floating | Yes |
| Fluorescent lamps, uncorrected | 1000 VA |
| Switching output 1, low-voltage halogen lamps | 1000 VA |
| Capacitive load in µF | 176 µF |

| | |
|----------------------------|--|
| Functions | Group parameterisation, Semi-/fully automatic, Master/slave override, Neighbouring group function, Normal / test mode, Presence function, Manual ON / ON-OFF |
| Twilight setting | 2 – 2000 lx |
| Time setting | 10 s – 60 Min. |
| Basic light level function | No |
| Main light adjustable | No |
| Twilight setting TEACH | Yes |
| Constant-lighting control | No |
| Interconnection | Yes |
| Type of interconnection | Master/master, Master/slave |
| Interconnection via | Bluetooth |

HF 360-2

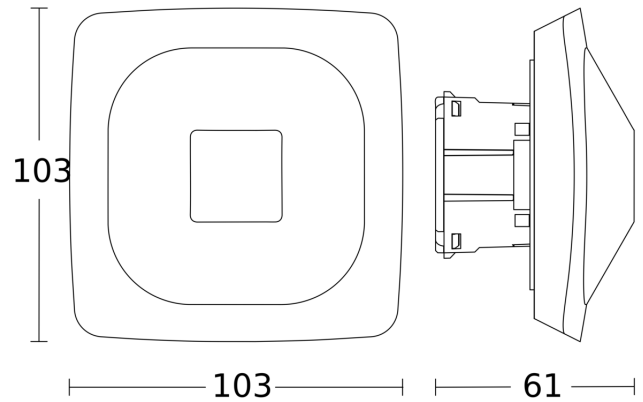
COM2 - Concealed wiring
EAN 4007841 064242
Article number 064242

Detection Zone



Possible mounting height: 2,50 m - 4,00 m
Orange: radial and tangential

Dimension Drawing



Master circuit diagram

