

# Hallway

BT IPD - surface  
 EAN 4007841 064563  
 Article number 064563



max. 25 x 3 m



2 - 4 m



IP54



2 - 2000 lux

5 years

manufacturer's warranty steinel-  
 professional.de/garantie



CE

## Function description

The cleverer hallway sensor knows more. Perfect radial detection up to 25 m – ideal for long corridors and hallways. Reach can be adjusted in both directions. Contemporary Control PRO II design. Featuring Bluetooth technology. Interfaces for COM1, COM2, DALI-2 APC, DALI-2 IPD, KNX, IP and BT IPD (Slave).

## Technical specifications

Dimensions (L x W x H)	62 x 123 x 123 mm	Mounting height max.	4,00 m
With motion detector	Yes	Optimum mounting height	2,8 m
Manufacturer's Warranty	5 years	HF-system	5,8 GHz
Settings via	Bluetooth	Detection	also through glass, wood and stud walls
With remote control	No	Detection angle	Aisle, 360 °
Version	BT IPD - surface	Angle of aperture	140 °
PU1, EAN	4007841064563	Sneak-by guard	Yes
Type	Presence detector	Capability of masking out individual segments	No
Application, place	Indoors	Electronic scalability	Yes
Application, room	Indoors, corridor / aisle	Mechanical scalability	No
Colour	white	Reach, radial	25 x 3 m (75 m <sup>2</sup> )
Colour, RAL	9003	Reach, tangential	25 x 3 m (75 m <sup>2</sup> )
Includes corner wall mount	No	Transmitter power	< 1 mW
Installation site	ceiling	Basic light level function	No
Installation	Surface wiring, Ceiling	Main light adjustable	No
Ambient temperature	-20 – 50 °C	Twilight setting TEACH	No
Material	Plastic		

# Hallway

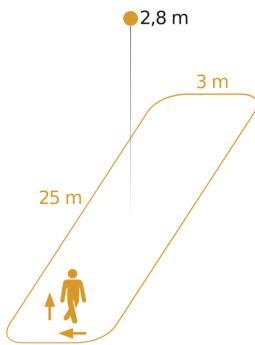
BT IPD - surface  
EAN 4007841 064563  
Article number 064563

## Technical specifications

Mains power supply	220 – 240 V / 50 – 60 Hz
Technology, sensors	High frequency, Light sensor
Mounting height	2,00 – 4,00 m

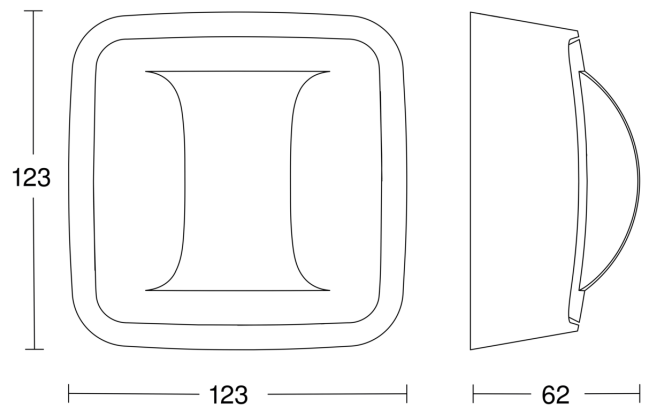
Constant-lighting control	No
Interconnection	Yes
Type of interconnection	Master/slave
Interconnection via	Bluetooth

## Detection Zone



Possible mounting height: 2,00 m – 4,00 m  
Orange: radial and tangential

## Dimension Drawing



## Circuit diagram

