

XLED PRO ONE

Anthracite

EAN 4007841 069513

Article number 069513



LED	3000 K							5 years	CE
long life LED 50.000 h	3000K warm-white	IP44	Panel 180° vertical	indoor/outdoor light	networkable via cable	energy saving	plastic free packaging	manufacturer's warranty steinel-professional.de/garantie	CE

Function description

Floodlights redefined. Housed in a sophisticated aluminium enclosure, the 180° vertically swivelling floodlight XLED PRO ONE without sensor guarantees daylight-bright illumination across large areas with warm white 3000 K and 2236 lm at 17,7 W. Suitable for manual switch operation and for cable-based networking in conjunction with a sensor version. With optional surface-mounting adapter. 5-year guarantee.

Technical specifications

Dimensions (L x W x H)	182 x 229 x 206 mm
Mains power supply	220 – 240 V / 50 – 60 Hz
Output	17,7 W
Interconnection	Yes
Vernetzung via: Connect Bluetooth Mesh	Cable
Lichtstrom Gesamtprodukt	2236 lm
Gesamtprodukt Effizienz	126 lm/W
Colour temperature	3000 K
Colour variation LED	SDCM3
Colour Rendering Index	80-89
With lamp	Yes, STEINEL LED system
Lamp	LED cannot be replaced
LED cooling system	Passive Thermo Control
With motion detector	No
Photo-cell controller	No

Basic light level function	No
Main light adjustable	No
Functions	Relay output
Impact resistance	IK03
IP-rating	IP44
Protection class	I
Ambient temperature	-20 – 40 °C
Housing material	Aluminium
Cover material	Glass transparent
Manufacturer's Warranty	5 years
Installation site	ceiling, wall
Cover material	shrouds
Version	Anthracite
PU1, EAN	4007841069513

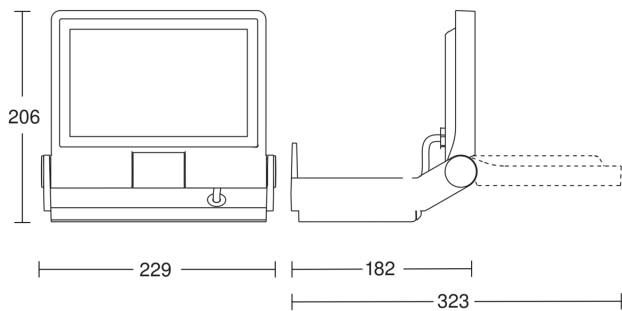
XLED PRO ONE

Anthracite

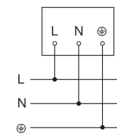
EAN 4007841 069513

Article number 069513

Dimension Drawing



Slave circuit diagram



Master/slave interconnection circuit diagram

