

Sensor-switched LED floodlight - Professional Line

# XLED PRO ONE Plus S

Anthracite

EAN 4007841 069551

Article number 069551



LED

long life LED  
50.000 h

3000 K

3000K  
warm-white



infrared sensor  
240°



max. 10 m



IP44



Panel 180° vertical



2 - 1000 lux



8 sec - 35 min



indoor/outdoor  
light



10% basic  
brightness

## Function description

Floodlights redefined. Housed in a sophisticated aluminium enclosure, the 180° vertically swivelling floodlight XLED PRO ONE Plus S guarantees daylight-bright illumination across large areas with warm white 3000 K and 4370 lm at 33,8 W. Features include a 240° infrared sensor (10 m range), plug-in cover caps to limit the detection zone, a basic light function (10%), and an optional surface-mounting adapter. Connected by cable. Adjusted by potentiometer and remote control. Maximum mounting height: 6 m. 5-year guarantee.

# XLED PRO ONE Plus S

Anthracite

EAN 4007841 069551

Article number 069551



## Technical specifications

Dimensions (L x W x H)	202 x 259 x 250 mm	Mechanical scalability	No
Mains power supply	220 – 240 V / 50 – 60 Hz	Reach, radial	r = 3 m (19 m <sup>2</sup> )
Sensor Technology	passive infrared	Reach, tangential	r = 12 m (302 m <sup>2</sup> )
Output	33,8 W	Photo-cell controller	Yes
Interconnection	Yes	Twilight setting	2 – 2000 lx
Vernetzung via: Connect Bluetooth Mesh	Cable	Time setting	8 s – 35 Min.
Slave modeselectable	No	Basic light level function	Yes
Lichtstrom Gesamtprodukt	4370 lm	Basic light level function time	10/30 min, all night
Gesamtprodukt Effizienz	129 lm/W	Main light adjustable	No
Colour temperature	3000 K	Functions	DIM function, Light sensor, Motions sensor, Orientation light
Colour variation LED	SDCM3	Soft light start	Yes
Colour Rendering Index	80-89	Impact resistance	IK03
With lamp	Yes, STEINEL LED system	IP-rating	IP44
Lamp	LED cannot be replaced	Protection class	I
LED life expectancy (max. °C)	50000 h	Ambient temperature	-20 – 40 °C
Drop in luminous flux in accordance with LM80	L70B10	Housing material	Aluminium
Base	without	Cover material	Glass transparent
LED cooling system	Passive Thermo Control	Manufacturer's Warranty	5 years
With motion detector	Yes	Einstellungen via: Connect Bluetooth Mesh	Remote control, Potentiometers, App
Detection angle	240 °	Installation site	ceiling, wall
Angle of aperture	180 °	Cover material	shrouds
Capability of masking out individual segments	No	Version	Anthracite
Electronic scalability	No	PU1, EAN	4007841069551

## Accessories

EAN 4007841 080983 Surface mount adapter XLED PRO ONE Plus + Max

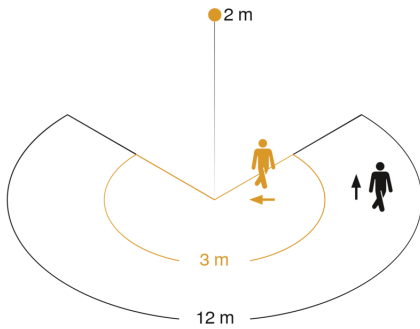
# XLED PRO ONE Plus S

Anthracite

EAN 4007841 069551

Article number 069551

## Detection Zone

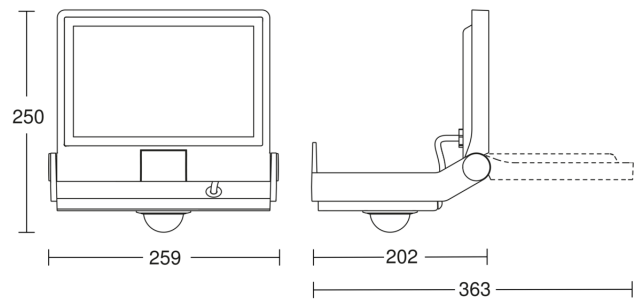


Mögliche Montagehöhe: 1,80 m – 6,00 m

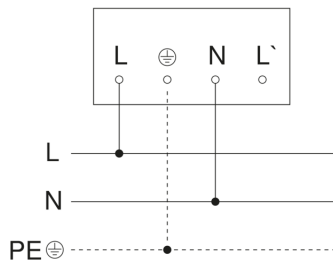
Orange: radial

Schwarz: tangential

## Dimension Drawing



## Master circuit diagram



## Master/slave interconnection circuit diagram

