

HF 360-2

BT IPD - concealed
 EAN 4007841 064419
 Article number 064419



Function description

Smart surveillance professional. The HF 360-2 from the new Control PRO 2 range. Modern look and intelligent 360° HF sensor technology – ideal for stairwells and toilet facilities with cubicles. Conveniently adjusted and interconnected via Bluetooth. Interfaces: COM1, COM2, DALI-2 APC, DALI-2 IPD, KNX, IP and BT IPD (Slave). Mounting height up to 4 m. Reach: 12 m.

Technical specifications

Dimensions (L x W x H)	61 x 103 x 103 mm	Mounting height	2,50 – 4,00 m
With motion detector	Yes	Mounting height max.	4,00 m
Manufacturer's Warranty	5 years	Optimum mounting height	2,8 m
Settings via	Bluetooth	HF-system	5,8 GHz
With remote control	No	Detection	also through glass, wood and stud walls
Version	BT IPD - concealed	Detection angle	360 °
PU1, EAN	4007841064419	Angle of aperture	140 °
Type	Presence detector	Sneak-by guard	Yes
Application, place	Indoors	Capability of masking out individual segments	No
Application, room	function room / ancillary room, kitchenette, stairwell, WC / washroom, Indoors	Electronic scalability	Yes
Colour	white	Mechanical scalability	No
Colour, RAL	9003	Reach, radial	Ø 12 m (113 m ²)
Includes corner wall mount	No	Reach, tangential	Ø 12 m (113 m ²)
Installation site	ceiling	Transmitter power	< 1 mW
Installation	Concealed wiring, Ceiling	Basic light level function	No
IP-rating	IP20	Main light adjustable	No

HF 360-2

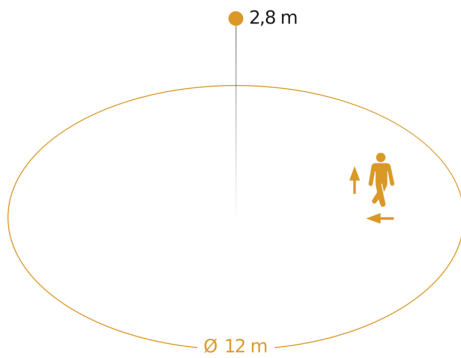
BT IPD - concealed
 EAN 4007841 064419
 Article number 064419

Technical specifications

Ambient temperature	-25 – 50 °C
Material	Plastic
Mains power supply	220 – 240 V / 50 – 60 Hz
Power consumption	0,5 W
Technology, sensors	High frequency, Light sensor

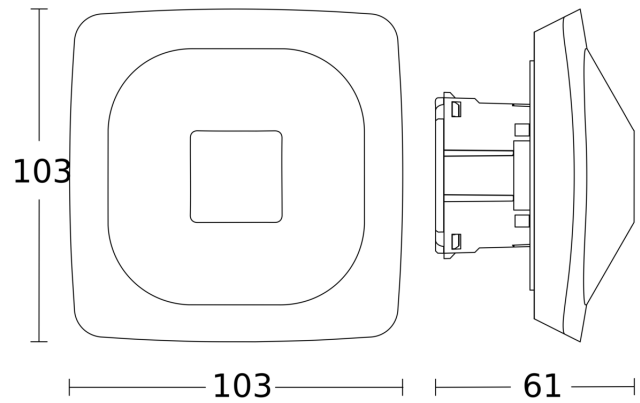
Twilight setting TEACH	No
Constant-lighting control	No
Interconnection	Yes
Type of interconnection	Master/slave
Interconnection via	Bluetooth

Detection Zone



Possible mounting height: 2,50 m – 4,00 m
 Orange: radial and tangential

Dimension Drawing



Circuit diagram

