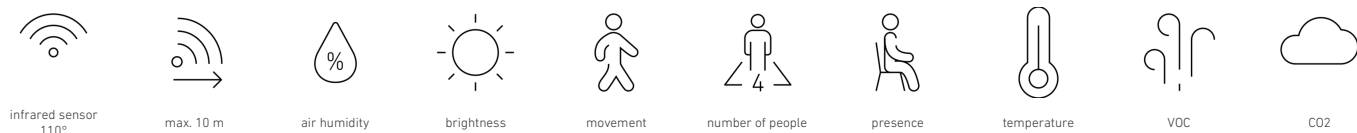


# HPD3

IP - surface  
 EAN 4007841 067298  
 Article number 067298



## Function description

Next Level Sensor Technology. The HPD3 is designed for ceiling mounting and detects the presence of people in the room, counts and locates them within flexibly definable detection zones. The optical sensor HPD3 offers the possibility to measure temperature and humidity. It is the ideal solution for efficient floor space utilisation and the needs-based operation of light, heating and air conditioning. With integrated HF detector and IP interface. IoT link through REST API, MQTT and BacNet. Available in surface-mounted and flush-mounted versions.

## Technical specifications

Dimensions (L x W x H)	65 x 125 x 125 mm
Dimensions (Ø x H)	125 x 65 mm
With motion detector	Yes
Manufacturer's Warranty	5 years
Settings via	Bluetooth Mesh, Web-Interface
Version	IP - surface
PU1, EAN	4007841067298
Type	Presence detector
Application, place	Indoors
Application, room	lecture hall, classroom, open-plan office, conference room / meeting room, production facilities, recreation room, dining hall / staff restaurant, Indoors
Colour	white
Colour, RAL	9016
Installation site	ceiling
Installation	Surface wiring, Ceiling

Mounting height	2,30 – 5,00 m
Mounting height max.	5,00 m
Optimum mounting height	2,8 m
HF-system	5,8 GHz
Detection angle	110 °
Sneak-by guard	No
Capability of masking out individual segments	Yes
Electronic scalability	Yes
Mechanical scalability	No
Reach, radial	Optical sensor: Optischer Sensor: r = 10 m (Optischer Sensor: 96 m <sup>2</sup> )
Reach, tangential	Optical sensor: Optischer Sensor: r = 10 m (Optischer Sensor: 96 m <sup>2</sup> )
Reach, presence	Optical sensor: Optischer Sensor: r = 10 m (Optischer Sensor: 96 m <sup>2</sup> )
Reach, radial 2	High frequency: Hochfrequenz: r = 9 m (Hochfrequenz: 78 m <sup>2</sup> )

# HPD3

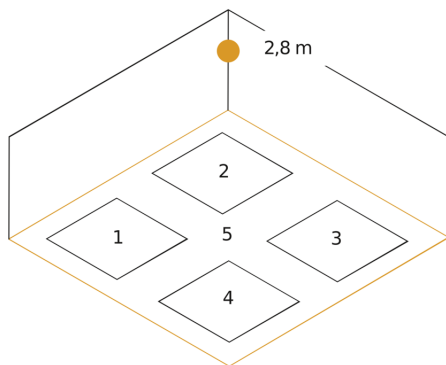
IP - surface  
 EAN 4007841 067298  
 Article number 067298

## Technical specifications

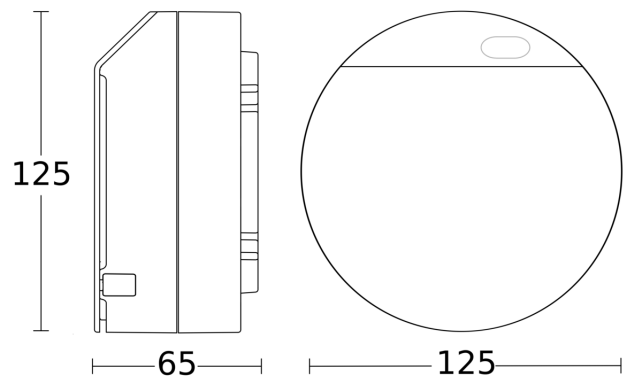
IP-rating	IP20
Protection class	III
Ambient temperature	from 0 up to 40 °C
Material	Plastic
Power supply, detail	Passive PoE SELV, standard PoE (IEEE 802.3 af)
With bus coupling	Yes
Sensor Technology 2	High frequency
Technology, sensors	Optical sensor, High frequency, Light sensor, Temperature, Air humidity, VOC, CO2

Reach, tangential 2	High frequency: Hochfrequenz: r = 9 m (Hochfrequenz: 78 m <sup>2</sup> )
Transmitter power	< 1 mW
Functions	Motions sensor, Light sensor, Census of persons, Presence function, Constant-lighting control, Capture zone definition, Encrypted communication
Basic light level function	No
Main light adjustable	No
Twilight setting TEACH	No
Interconnection via	LAN, Bluetooth Mesh
Product category	Optical sensor

## Detection Zone



## Dimension Drawing



Possible mounting height: 2,30 m - 5,00 m