

Sensor-switched LED outdoor light

# L 820 S

V2 Anthracite

EAN 4007841 035754

Article number 035754



Up-/Downlight

LED

30 years (Ø 4,5h / day)

3000 K

3000K warm-white



intelligent high frequency sensor 160°



1 - 5 m



IP44



2 - 1000 lux



5 sec - 15 min



soft light start



10% basic brightness

## Function description

The most modern outdoor light in the world. Designer sensor-switched outdoor light L 820 S with invisible high-frequency sensor, ideal for building entrances and fronts of buildings, 9,8 W STEINEL LED lighting system, 679 lm, 160° coverage angle, reach from 1 - 5 m, for stylish up and downlighting with house number panel, includes soft light start and optional manual override for 4 hours.

# L 820 S

V2 Anthracite

EAN 4007841 035754

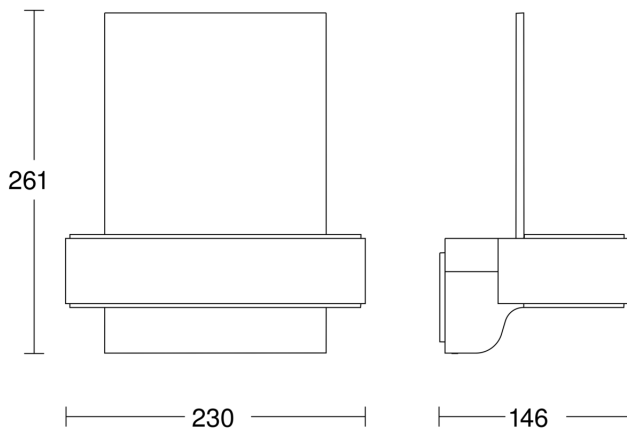
Article number 035754

## Technical specifications

|   |   |
|---|---|
| Dimensions (L x W x H)                        | 145 x 230 x 260 mm                          |
| Mains power supply                            | 220 – 240 V / 50 – 60 Hz                    |
| Mounting height max.                          | 2,50 m                                      |
| Sensor Technology                             | iHF (intelligent high-frequency technology) |
| Transmitter power                             |   |
| Output  | 9,8 W                                       |
| Interconnection                               | No  |
| Slave modeselectable                          | Yes   |
| Luminous flux                                 | 679 lm                                      |
| Colour temperature                            | 3000 K                                      |
| With lamp                                     | Yes, LED lamp                               |
| Lamp  | LED cannot be replaced                      |
| LED life expectancy (25 °C)                   | > 60000 h                                   |
| Base  | without                                     |
| LED cooling system                            | Active and Passive Thermo Control           |
| With motion detector                          | Yes   |
| Detection angle                               | 160 °                                       |
| Sneak-by guard                                | Yes   |
| Capability of masking out individual segments | No  |
| Electronic scalability                        | Yes   |
| Mechanical scalability                        | No  |
| Reach, radial                                 | r = 5 m (35 m <sup>2</sup> )                |

|   |                              |
|---|------------------------------|
| Reach, tangential                       | r = 5 m (35 m <sup>2</sup> ) |
| Photo-cell controller                   | Yes                          |
| Twilight setting                        | 2 – 2000 lx                  |
| Time setting                            | 5 s – 15 Min.                |
| Basic light level function              | Yes                          |
| Basic light level function time         | 10/30 min, all night         |
| Functions                               | Motions sensor               |
| Soft light start                        | Yes                          |
| Continuous light                        | selectable, 4h               |
| Impact resistance                       | IK03                         |
| IP-rating                               | IP44                         |
| Protection class                        | II                           |
| Ambient temperature                     | -20 – 40 °C                  |
| Housing material                        | Aluminium                    |
| Cover material                          | Plastic, opal                |
| Manufacturer's Warranty                 | 3 years                      |
| includes sheet of self-adhesive numbers | Yes                          |
| Settings via                            | Potentiometers               |
| With remote control                     | No                           |
| Version                                 | Anthracite                   |
| PU1, EAN                                | 4007841035754                |

## Dimension Drawing



## Circuit diagram

