

IS 345

DALI-2 APC - in-ceiling installation, rd.
 EAN 4007841 080655
 Article number 080655



infrared sensor
360°



max. 20 x 4 m



IP20



2 - 1000 lux



5 sec - 15 min



manual override 4h



ideal 2,5 - 5 m

Teach

Teach mode



energy saving

5 years

manufacturer's
warranty steinel-
professional.de/
garantie

Function description

Huge reach. Infrared motion detector IS 345 for indoors and out, ideal for passageways, corridors and commonly used spaces, installation height 5 m, detection zone 12 x 6 m (radial) and 23 x 6 m (tangential). Available either in round or square surface-mounted and concealed version.

Technical specifications

| | | | |
|----------------------------|--|---|--|
| Dimensions (Ø x H) | 124 x 121 mm | Optimum mounting height | 2,8 m |
| Manufacturer's Warranty | 5 years | Detection angle | Aisle, 360 ° |
| Settings via | Remote control, Potentiometers, Smart Remote | Angle of aperture | 45 ° |
| With remote control | No | Sneak-by guard | Yes |
| Version | DALI-2 APC - in-ceiling installation, rd. | Capability of masking out individual segments | Yes |
| PU1, EAN | 4007841080655 | Electronic scalability | No |
| Type | Motion detectors | Mechanical scalability | No |
| Application, place | Indoors | Reach, radial | 12 x 6 m (72 m ²) |
| Application, room | corridor / aisle, multi-storey / underground car park, Indoors | Reach, tangential | 23 x 6 m (138 m ²) |
| Colour | white | Switching zones | 280 switching zones |
| Colour, RAL | 9003 | Functions | Normal / test mode, Manual ON / ON-OFF, Constant-lighting control ON-OFF |
| Includes corner wall mount | No | Twilight setting | 2 – 1000 lx |
| Installation site | ceiling | Time setting | 5 s – 15 Min. |
| Installation | In-ceiling installation, Ceiling | Basic light level function | Yes |
| IP-rating | IP20 | Basic light level function time | 1-30 min, all night |

IS 345

DALI-2 APC - in-ceiling installation, rd.
EAN 4007841 080655
Article number 080655



Technical specifications

| | | | |
|----------------------|------------------------------------|---------------------------|--------------|
| Ambient temperature | -20 – 50 °C | Main light adjustable | 50 - 100 % |
| Material | Plastic | Twilight setting TEACH | Yes |
| Mains power supply | 220 – 240 V / 50 – 60 Hz | Constant-lighting control | Yes |
| Control output, Dali | Broadcast 1x30 electronic ballasts | Interconnection | Yes |
| Technology, sensors | passive infrared, Light sensor | Type of interconnection | Master/slave |
| Mounting height | 2,50 – 5,00 m | Interconnection via | Cable |
| Mounting height max. | 5,00 m | | |

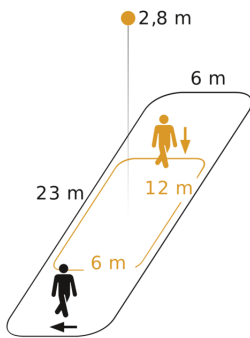
Accessories

| | |
|--------------------|-----------------------------|
| EAN 4007841 009151 | Remote control Smart Remote |
| EAN 4007841 559410 | Service remote control RC8 |
| EAN 4007841 592806 | User remote control RC5 |
| EAN 4007841 056742 | Black cover for IR-sensors |

IS 345

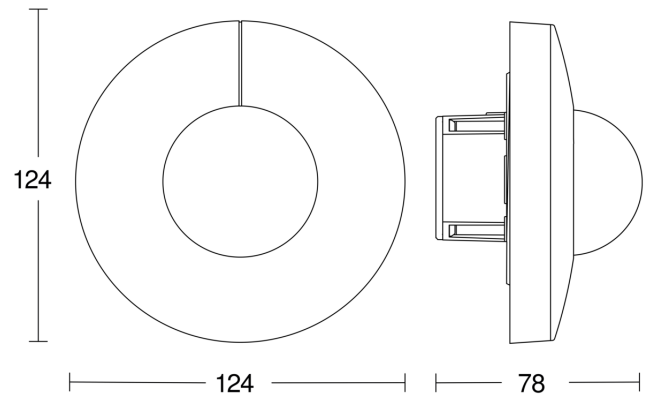
DALI-2 APC - in-ceiling installation, rd.
EAN 4007841 080655
Article number 080655

Detection Zone

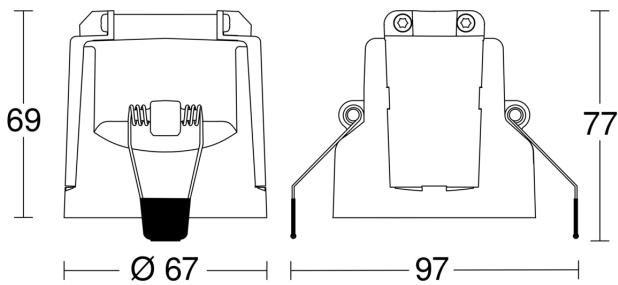


Possible mounting height: 2,50 m - 5,00 m
Orange: radial
Black: tangential

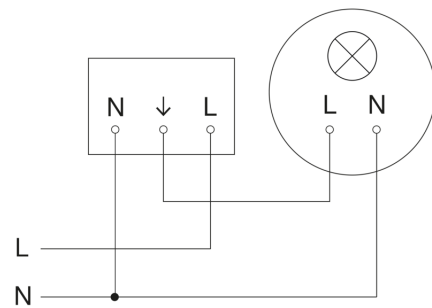
Dimension Drawing 1



Dimension Drawing 2



Master circuit diagram



IS 345

DALI-2 APC - in-ceiling installation, rd.
EAN 4007841 080655
Article number 080655

Master/slave interconnection circuit diagram

