

Sensor-switched LED floodlight

XLED slim S

white
EAN 4007841 012069
Article number 012069



LED

30 years (Ø 4,5h / day)

3000 K

3000K warm-white



infrared sensor
160°



max. 8 m



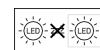
IP44



2 - 1000 lux



2 sec - 70 min



Light source not
exchangeable



Control gear not
exchangeable



ideal 2 m

Function description

Light meets elegance. Elegantly designed sensor LED floodlight XLED slim S with 7,2 W, ideal for building entrances and pathways, pleasant and effective light (720 lm) requiring very little energy, sensor reach of up to 8 m.

Technical specifications

Dimensions (L x W x H)	201 x 66 x 241 mm	Mechanical scalability	No
With lamp	Yes, STEINEL LED system	Reach, radial	r = 4 m (22 m ²)
With motion detector	Yes	Reach, tangential	r = 8 m (89 m ²)
Manufacturer's Warranty	3 years	Photo-cell controller	Yes
Settings via	Potentiometers	Cover material	sticker
Version	white	Luminous flux total product	720 lm
PU1, EAN	4007841012069	Measured luminous flux (360°)	720 lm
Application, place	Outdoors	Total product efficiency	100 lm/W
Application, room	outdoors, all round the building, terrace / balcony	Colour temperature	3000 K
Colour	white	Colour variation LED	SDCM3
Includes corner wall mount	No	Lamp	LED cannot be replaced
Installation site	wall	LED life expectancy (max. °C)	50000 h
Installation	Wall, Surface wiring	Service life LED L70B50 (25°)	> 60000 h
Impact resistance	IK03	Drop in luminous flux in accordance with LM80	L70B10
IP-rating	IP44	LED cooling system	Active and Passive Thermo Control
Protection class	I	Soft light start	No
Ambient temperature	-20 – 40 °C		

<https://www.steinell.de>

Subject to technical modifications

12.2022 Page 1 from 3

Sensor-switched LED floodlight

XLED slim S

white
EAN 4007841 012069
Article number 012069



Technical specifications

Housing material	Aluminium
Cover material	Plastic, transparent
Mains power supply	220 – 240 V / 50 – 60 Hz
Mounting height max.	4,00 m
Sneak-by guard	Yes
Electronic scalability	No

Time setting	2 s – 70 Min.
Main light adjustable	No
Interconnection	No
Output	7,2 W
Colour Rendering Index CRI	= 82
Optimum mounting height	2,2 m
Detection angle	160 °

Sensor-switched LED floodlight

XLED slim S

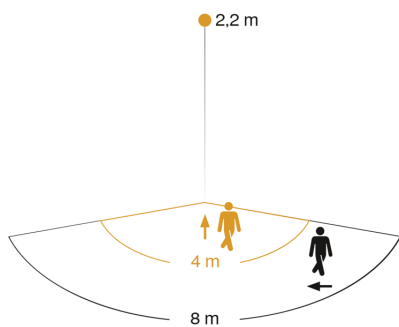
white

EAN 4007841 012069

Article number 012069



Detection Zone

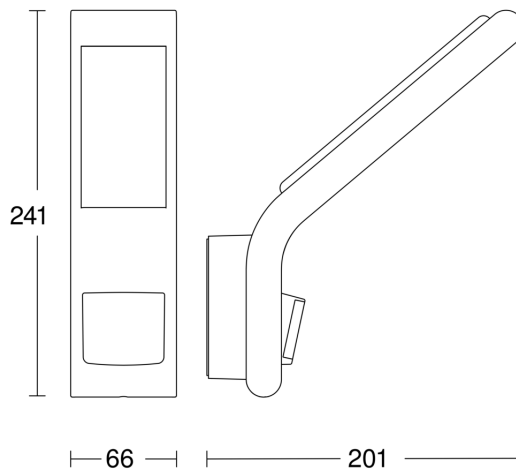


Mögliche Montagehöhe: 1,80 m – 4,00 m

Orange: radial

Schwarz: tangential

Dimension Drawing



Circuit diagram

