

Sensor-switched LED outdoor light

L 240 S

Anthracite

EAN 4007841 056506

Article number 056506



LED

30 years (Ø 4,5h / day)

3000 K

3000K warm-white



infrared sensor 180°



max. 10 m



IP44



2 - 2000 lux



8 sec - 35 min



shock proof IK07



energy saving

3 years

manufacturer's warranty
steinel.de/garantie3y

Function description

Outdoor light in a vertical design. Slimline, rectangular L 240 S sensor-switched outdoor light in a vertical design. Elegant ambient lighting for entrances. Modern STEINEL LED technology with a light output of 946 lm at a power consumption of 9,3 W. Swivelling precision IR sensor with a 180° angle of coverage and 10 m reach.

L 240 S

Anthracite

EAN 4007841 056506

Article number 056506

Technical specifications

Dimensions (L x W x H)	81 x 165 x 305 mm
With lamp	Yes, STEINEL LED system
With motion detector	Yes
Manufacturer's Warranty	3 years
Settings via	Potentiometers
With remote control	Nein
Version	Anthracite
PU1, EAN	4007841056506
Application, place	Outdoors
Application, room	outdoors, front door, all round the building, terrace / balcony, courtyard & driveway
Colour	Anthracite
Installation site	wall
Impact resistance	IK07
IP-rating	IP44
Protection class	II
Ambient temperature	-20 – 50 °C
Housing material	Stainless steel
Cover material	Plastic, opal
Mains power supply	220 – 240 V / 50 – 60 Hz
Output	5 - 25 W
Average rated life expectancy of power supply unit at 25°C	> 60000 h
Mounting height max.	3,00 m
Slave modeselectable	No
Sneak-by guard	Yes

Capability of masking out individual segments	Yes
Electronic scalability	No
Mechanical scalability	No
Reach, radial	r = 3 m (14 m ²)
Reach, tangential	r = 10 m (157 m ²)
Photo-cell controller	Yes
Cover material	sticker
Luminous flux total product	946 lm
Measured luminous flux (360°)	946 lm
Total product efficiency	101 lm/W
Colour temperature	3000 K
Colour variation LED	SDCM3
Colour Rendering Index	80-89
Lamp	LED cannot be replaced
LED life expectancy (max. °C)	60000 h
Service life LED L70B50 (25°)	> 60000 h
Base	without
LED cooling system	Passive Thermo Control
Soft light start	No
Twilight setting	2 – 2000 lx
Time setting	8 s – 35 Min.
Basic light level function	No
Interconnection	No

Sensor-switched LED outdoor light

L 240 S

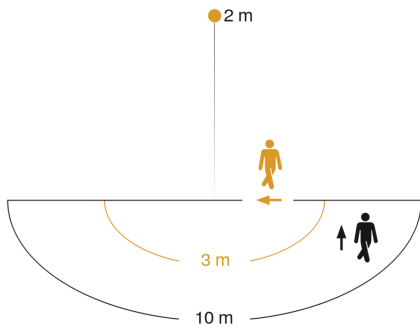
Anthracite

EAN 4007841 056506

Article number 056506



Detection Zone

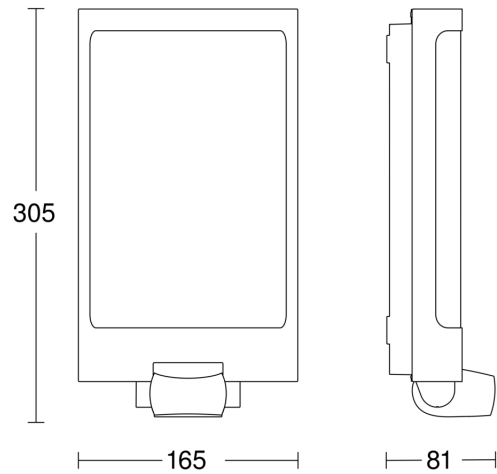


Mögliche Montagehöhe: 1,80 m – 3,00 m

Orange: radial

Schwarz: tangential

Dimension Drawing



Circuit diagram

