

Sensor-switched indoor light - Professional Line

RS 10 L



EAN 4007841 730512
Article number 730512



Max. 75 W



high frequency
sensor 360°



Ø 1 - 8 m



IP44



2 - 2000 lux



5 sec - 15 min



energy saving

5 years



manufacturer's
warranty
steinel-professional.de/garantie



ENEC 10

Function description

Classy and powerful. High-frequency SensorLight RS 10 L, ideal for stairwells and corridors, for E 27 lamps, matt opal glass shade, 360° detection, reach setting 1 – 8 m, selectable time and twilight threshold.

RS 10 L

EAN 4007841 730512
Article number 730512

Technical specifications

Dimensions (Ø x H)	280 x 110 mm
With lamp	No
With motion detector	Yes
Manufacturer's Warranty	5 years
Settings via	Potentiometers
With remote control	Nein
PU1, EAN	4007841730512
Application, place	Indoors
Application, room	corridor / aisle, function room / ancillary room, stairwell, WC / washroom, outdoors, Indoors
Colour	white
Installation site	wall, ceiling
Installation	Wall, Ceiling, Surface wiring
Impact resistance	IK03
IP-rating	IP44
Protection class	II
Ambient temperature	-20 – 40 °C
Housing material	Aluminium
Cover material	Glass opal
Mains power supply	230 – 240 V / 50 Hz
Output	> 50 W
Switching output 1, resistive	800 W
Power consumption	1,1 W

Mounting height max.	4,00 m
HF-system	5,8 GHz
Detection	also through glass, wood and stud walls
Angle of aperture	160 °
Capability of masking out individual segments	No
Electronic scalability	Yes
Mechanical scalability	No
Reach, radial	Ø 8 m (50 m ²)
Reach, tangential	Ø 8 m (50 m ²)
Photo-cell controller	Yes
Transmitter power	
Lamp	All-purpose lamp
Base	E27
Soft light start	No
Continuous light	selectable
Twilight setting	2 – 2000 lx
Time setting	5 s – 15 Min.
Basic light level function	No
Twilight setting TEACH	No
Interconnection	Yes
Type of interconnection	Master/master
Interconnection via	Cable

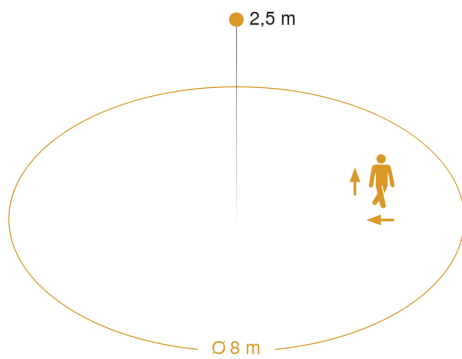
Accessories

EAN 4007841 001810 Replacement glass shade for RS 10

RS 10 L

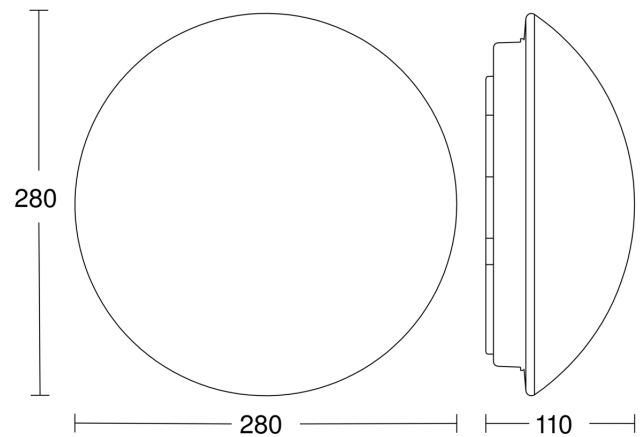
EAN 4007841 730512
Article number 730512

Detection Zone

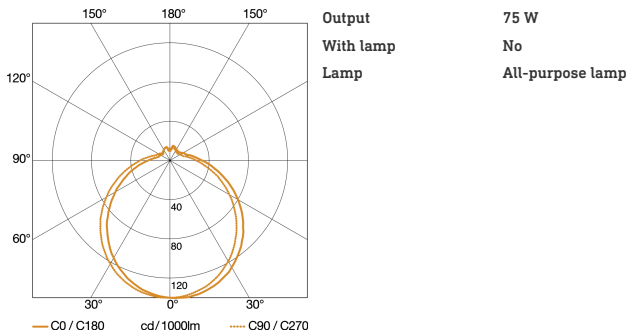


Mögliche Montagehöhe: 2,00 m – 4,00 m
Orange: radial und tangential

Dimension Drawing



Light Distribution Curve



Master circuit diagram

