

Sensor-switched LED indoor light - Professional Line

RS PRO DL 150 SC

with motion detector & Bluetooth
 EAN 4007841 084998
 Article number 084998



high frequency sensor 360°



max. ø 7 m



Settings via App



soft light start



0 - 100% main light brightness



0 - 100% basic light



IP54 room side



Control gear not exchangeable



Light source not exchangeable

5 years

manufacturer's warranty steinel-professional.de/garantie

Function description

174 mm and 230 mm indoor downlights with a low installation height and an output of 1193 lm or 2205 lm. Ideal for stairwells, hallways, WCs, washrooms, changing rooms, utility rooms and side rooms. Equipped with a 360° high-frequency sensor (ø 7 m range) and the latest Bluetooth Mesh technology. For intelligent light controls at STEINEL level. Quick, wireless connection and configuration, as well as grouping of lights via the STEINEL Connect App. With soft light start, neighbouring group function, dimmable basic light and main light, and colour temperature change function (3000 K, 4000 K, 5700 K). Mounting height: max. 4 m. Thanks to a practical mounting adapter, oversized mounting holes from previously installed lights are no problem (available from Q2/2023).

Technical specifications

Dimensions (Ø x H)	174 x 73 mm
With lamp	Yes, STEINEL LED system
With motion detector	Yes
Manufacturer's Warranty	5 years
Settings via	Smartphone, App, Bluetooth
Version	with motion detector & Bluetooth
PU1, EAN	4007841084998
Application, place	Indoors
Application, room	corridor / aisle, function room / ancillary room, WC / washroom, changing room, stairwell, kitchenette, reception / lobby, Indoors
Colour	white
Installation site	ceiling
Installation	Ceiling, In-ceiling installation
Impact resistance	IK05

Twilight setting	2 – 2000 lx
Time setting	5 s – 60 Min.
Basic light level function	Yes
Basic light level function, detail	LED effect light
Basic light level function time	5s-60 min
Main light adjustable	Yes
Interconnection	Yes
Interconnection via	Bluetooth Mesh Connect
Lifetime LED according to IEC-62717 (L70)	>54.000
Lifetime LED according to IEC-62717 (L80)	>54.000
Lebensdauer LED nach IES TM-21 (L70)	>54.000
Lifetime LED according to IES TM-21 (L80)	>54.000
Fuse protection B10	78

<https://www.steinel.de>

Subject to technical modifications

01.2025 Page 1 from 3

RS PRO DL 150 SC

with motion detector & Bluetooth
 EAN 4007841 084998
 Article number 084998



Technical specifications

IP-rating	IP20	Fuse protection B16	125
Protection class	II	Fuse protection C10	193
Ambient temperature	from -20 up to 40 °C	Fuse protection C16	209
Mains power supply	220 – 240 V / 50 – 60 Hz	Basic light level function in per cent	0 – 100 %
Power consumption	0,5 W	Output	10,8 W
Mounting height max.	4,00 m	Colour Rendering Index CRI	= 82
HF-system	5,8 GHz	Photobiological safety in accordance with EN 62471	RG1
Slave modeselectable	Yes	IP-rating, ceiling	IP54
Detection	also through glass, wood and stud walls	Luminous flux total product (3.000K)	1109 lm
Reach, radial	Ø 7 m (38 m ²)	Luminous flux total product (4.000K)	1177 lm
Reach, tangential	Ø 7 m (38 m ²)	Luminous flux total product (5.700K)	1137 lm
Colour temperature	3000 K, 4000 K, 5700 K	Total product efficiency (3.000K)	103 lm/W
Colour variation LED	SDCM3	Total product efficiency (4.000K)	109 lm/W
Lamp	LED cannot be replaced	Total product efficiency (5.700K)	105 lm/W
LED cooling system	Passive Thermo Control	Detection angle	360 °
Soft light start	Yes	Product category	Sensor-switched LED indoor light
Functions	Connection to central battery systems, DIM function, Adjustable fade time when switching on and off, Color temperature change, Free selection of the light value in a luminaire group, Group parameterisation, Light sensor, Neighbouring group function, Orientation light, Encrypted communication		

Accessories

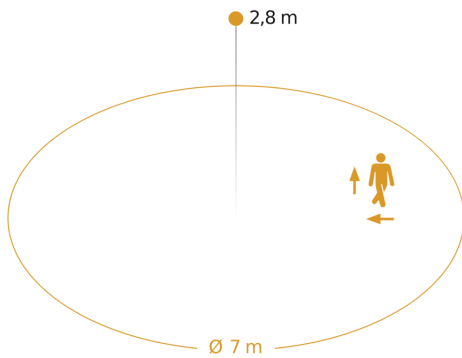
EAN 4007841 087364

Refurbishment trim for RS PRO DL 150 SC

RS PRO DL 150 SC

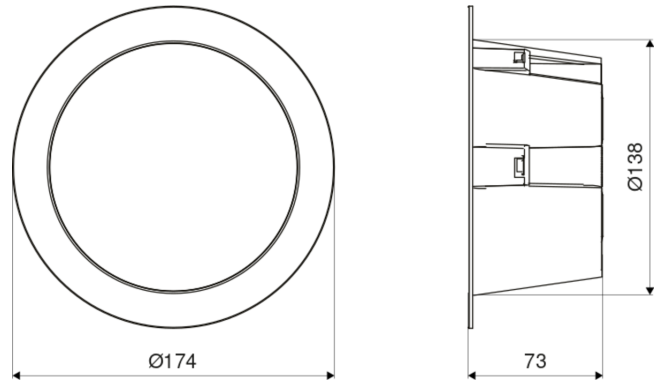
with motion detector & Bluetooth
EAN 4007841 084998
Article number 084998

Detection Zone

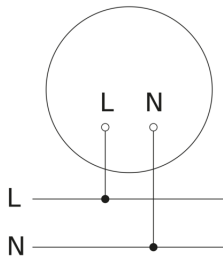


Possible mounting height: 2,00 m - 4,00 m
Orange: radial and tangential

Dimension Drawing



Master circuit diagram



Master/master bluetooth interconnection circuit diagram

