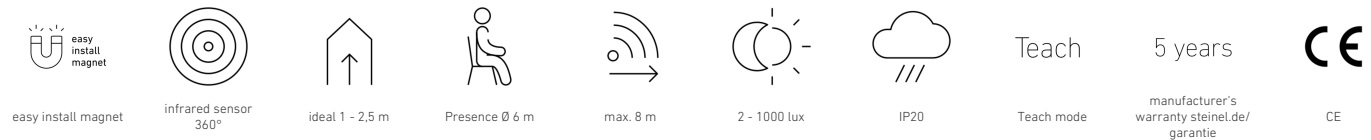


PD-8 ECO

COM1 - concealed white
 EAN 4007841 087937
 Article number 087937



Function description

Motion detection, presence detection and light measurement for offices, meeting rooms, passageways and more – the 360° IR presence detectors are sensNORM-compliant and ideal for sensor-based standard requirements in public buildings. With COM1, KNX and DALI-2 IPD interface. With COM1 interface, key input and fully/semi-automatic mode. Motion detection range: Ø 8 or Ø 24 m. Presence detector function with Ø 6 or Ø 7.5 m detection zone. Includes insertable cover caps in a matching colour. For concealed wiring, surface mounting and recessed ceiling installation. Configuration and operation via Smart Remote control or potentiometer. Installation-friendly modular magnetic plug-in connection. LED feedback for safe commissioning. Mounting height max. 4 m. Parallel switching (up to 10 sensors). Switching output: 2000 watt or 500 watt (LED). In black or white.

Technical specifications

Dimensions (Ø x H)	109 x 69 mm	Mounting height	2 – 4 m
With motion detector	Yes	Mounting height max.	4,00 m
Manufacturer's Warranty	5 years	Optimum mounting height	2,8 m
Settings via	Remote control, Smart Remote, Potentiometers	Detection angle	360 °
With remote control	No	Capability of masking out individual segments	Yes
Version	COM1 - concealed white	Electronic scalability	No
PU1, EAN	4007841087937	Mechanical scalability	No
Type	Motion and Presence Detector	Reach, radial	Ø 4.5 m (16 m ²)
Application, place	Indoors	Reach, tangential	Ø 8 m (50 m ²)
Application, room	one-person office, function room / ancillary room, Indoors, warehouse	Reach, presence	Ø 6 m (28 m ²)
Colour	white	Switching zones	492 switching zones
Includes corner wall mount	No	Cover material	shrouds
Installation site	ceiling	Functions	Motions sensor, Light sensor, Presence function, Presence detector logic, Semi-/fully
Installation	Concealed wiring, Ceiling		

PD-8 ECO

COM1 - concealed white
 EAN 4007841 087937
 Article number 087937



Technical specifications

IP-rating	IP20	automatic, Potentiometer, Relay output, Normal / test mode	
Ambient temperature	from -20 up to 50 °C	Twilight setting	2 – 1000 lx
Material	Plastic	Time setting	5 s – 60 Min.
Switching output 1, resistive	2000 W	Main light adjustable	No
Switching output 1, number of LEDs / fluorescent lamps	50 pcs.	Twilight setting TEACH	Yes
LED lamps > 8 W	500 W	Constant-lighting control	No
Capacitive load in µF	176 µF	Type of interconnection	Master/master
Technology, sensors	passive infrared, Light sensor	Interconnection via	Cable
		Interconnection, number	max. 10 sensors
		Product category	Motion and Presence Detector

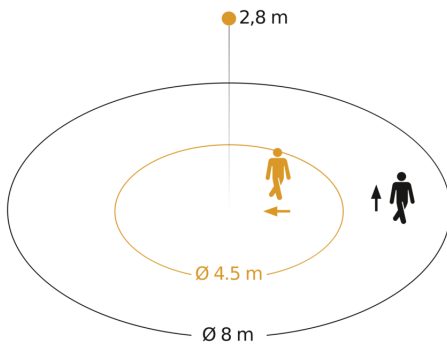
Accessories

EAN 4007841 079543	Recessed adapter In-ceiling installation
EAN 4007841 009151	Remote control Smart Remote
EAN 4007841 592806	User remote control RC5
EAN 4007841 559410	Service remote control RC8

PD-8 ECO

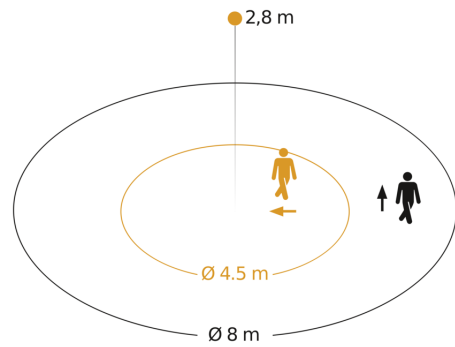
COM1 - concealed white
EAN 4007841 087937
Article number 087937

Detection Zone 1



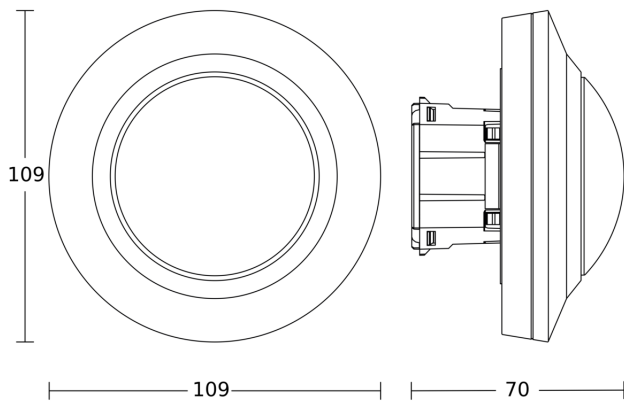
Possible mounting height: 2,00 m - 4,00 m
Orange: radial
Black: tangential

Detection Zone 2

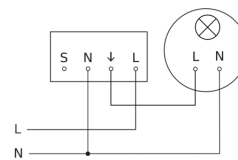


Possible mounting height: 2,00 m - 4,00 m
Orange: radial
Black: tangential

Dimension Drawing



Circuit diagram



PD-8 ECO

COM1 - concealed white
EAN 4007841 087937
Article number 087937

Circuit diagram for interconnecting several sensors

