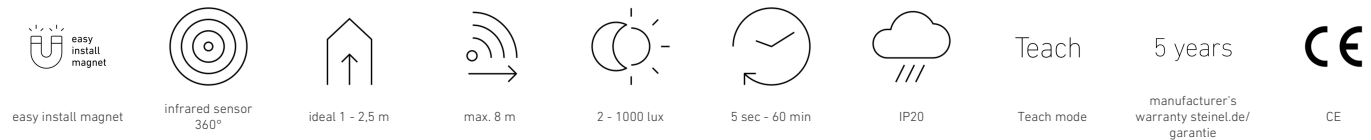


# MD-8 ECO

COM1 - in-ceiling installation  
 EAN 4007841 087807  
 Article number 087807



## Function description

The new 360° IR motion detectors with a range of Ø 8 or Ø 24 m are the more convenient solution for sensor-based standard requirements in public buildings. Ideal for motion detection and light measurement, e.g. in offices, meeting rooms and passageways. With COM1 interface, key input and fully/semi-automatic mode. Configuration and operation via Smart Remote control or potentiometer. Incl. insertable cover caps to limit the detection range. Easy installation, thanks to the modular magnetic plug-in connection. For concealed wiring, surface mounting and recessed ceiling installation. LED feedback for easy commissioning. Mounting height max. 4 m. Parallel switching: (max. 10 sensors). Switching output: 2000 watt or 500 watt (LED). sensNORM-compliant.

## Technical specifications

Dimensions (Ø x H)	109 x 109 mm	Mounting height	2 – 4 m
With motion detector	Yes	Mounting height max.	4,00 m
Manufacturer's Warranty	5 years	Optimum mounting height	2,8 m
Settings via	Remote control, Smart Remote, Potentiometers	Detection angle	360 °
With remote control	No	Capability of masking out individual segments	Yes
Version	COM1 - in-ceiling installation	Electronic scalability	No
PU1, EAN	4007841087807	Mechanical scalability	No
Type	Motion detectors	Reach, radial	Ø 4.5 m (16 m <sup>2</sup> )
Application, place	Indoors	Reach, tangential	Ø 8 m (50 m <sup>2</sup> )
Application, room	one-person office, function room / ancillary room, Indoors, warehouse	Switching zones	492 switching zones
Colour	white	Cover material	shrouds
Includes corner wall mount	No	Functions	Motions sensor, Light sensor, Semi-/fully automatic, Potentiometer, Relay output, Normal / test mode
Installation site	ceiling	Twilight setting	2 – 1000 lx
Installation	In-ceiling installation, Ceiling		

# MD-8 ECO

COM1 - in-ceiling installation  
 EAN 4007841 087807  
 Article number 087807



## Technical specifications

IP-rating	IP20
Ambient temperature	from -20 up to 50 °C
Material	Plastic
Switching output 1, resistive	2000 W
Switching output 1, number of LEDs / fluorescent lamps	50 pcs.
LED lamps > 8 W	500 W
Capacitive load in µF	176 µF
Technology, sensors	passive infrared, Light sensor

Time setting	5 s – 60 Min.
Main light adjustable	No
Twilight setting TEACH	Yes
Constant-lighting control	No
Type of interconnection	Master/master
Interconnection via	Cable
Interconnection, number	max. 10 sensors
Product category	Motion detector

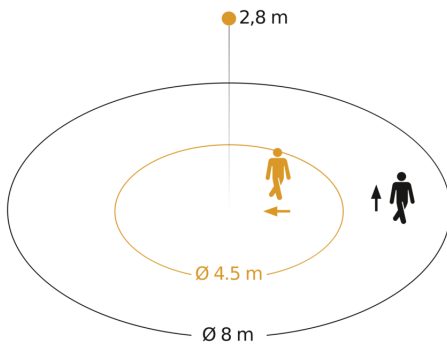
## Accessories

EAN 4007841 079543	Recessed adapter In-ceiling installation
EAN 4007841 009151	Remote control Smart Remote
EAN 4007841 592806	User remote control RC5
EAN 4007841 559410	Service remote control RC8

# MD-8 ECO

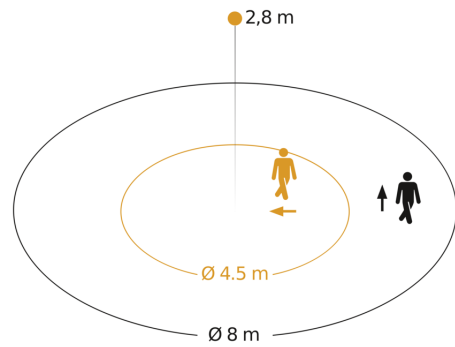
COM1 - in-ceiling installation  
EAN 4007841 087807  
Article number 087807

## Detection Zone 1



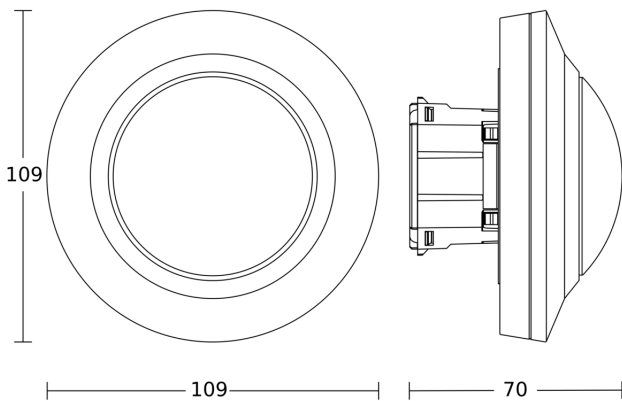
Possible mounting height: 2,00 m - 4,00 m  
Orange: radial  
Black: tangential

## Detection Zone 2

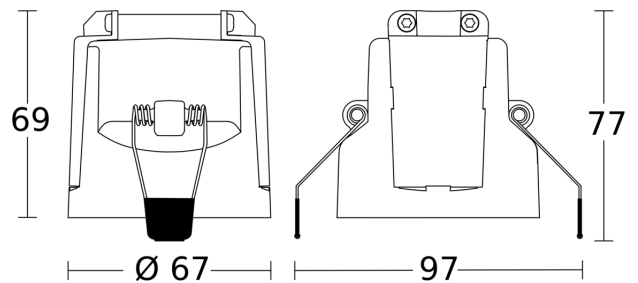


Possible mounting height: 2,00 m - 4,00 m  
Orange: radial  
Black: tangential

## Dimension Drawing 1



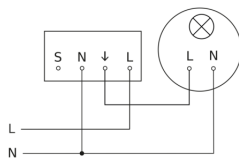
## Dimension Drawing 2



# MD-8 ECO

COM1 - in-ceiling installation  
EAN 4007841 087807  
Article number 087807

## Circuit diagram



## Circuit diagram for interconnecting several sensors

