

PD-8 ECO

KNX - in-ceiling installation, white
 EAN 4007841 087975
 Article number 087975



									
easy install magnet	infrared sensor 360°	ideal 1 - 2.5 m	Presence Ø 6 m	max. 8 m	IP20	KNX	Teach mode	manufacturer's warranty steinel-professional.de/ garantie	CE

Function description

Motion detection, presence detection and light measurement for offices, meeting rooms, passageways and more – the 360° IR presence detectors are sensNORM-compliant and ideal for sensor-based standard requirements in public buildings. With COM1, KNX and DALI-2 IPD interface. With COM1 interface, key input and fully/semi-automatic mode. Motion detection range: Ø 8 or Ø 24 m. Presence detector function with Ø 6 or Ø 7.5 m detection zone. Includes insertable cover caps in a matching colour. For concealed wiring, surface mounting and recessed ceiling installation. Configuration and operation via Smart Remote control or potentiometer. Installation-friendly modular magnetic plug-in connection. LED feedback for safe commissioning. Mounting height max. 4 m. Parallel switching (up to 10 sensors). Switching output: 2000 watt or 500 watt (LED). In black or white.

Technical specifications

With motion detector	Yes	Mounting height max.	4,00 m
Manufacturer's Warranty	5 years	Optimum mounting height	2,8 m
Settings via	Smart Remote, ETS software, Bus	Detection angle	360 °
With remote control	No	Capability of masking out individual segments	Yes
Version	KNX - in-ceiling installation, white	Electronic scalability	No
PU1, EAN	4007841087975	Mechanical scalability	No
Type	Motion and Presence Detector	Reach, radial	Ø 4.5 m (16 m ²)
Application, place	Indoors	Reach, tangential	Ø 8 m (50 m ²)
Application, room	one-person office, function room / ancillary room, Indoors, warehouse	Reach, presence	Ø 6 m (28 m ²)
Colour	white	Switching zones	492 switching zones
Includes corner wall mount	No	Cover material	shrouds
Installation site	ceiling	Functions	Motions sensor, Light sensor, Presence function, Presence detector logic
Installation	In-ceiling installation, Ceiling	Twilight setting	2 – 800 lx
IP-rating	IP20		

PD-8 ECO

KNX - in-ceiling installation, white
EAN 4007841 087975
Article number 087975



Technical specifications

Ambient temperature	from -20 up to 50 °C
Material	Plastic
With bus coupling	Yes
Technology, sensors	passive infrared, Light sensor
Mounting height	2 – 4 m

KNX functions	Light level, Light output 2x, Constant-lighting control, Photo-cell controller, Basic light level function, HVAC output, Logic gate, Presence output, Sabotage protection, Day / night function
Type of interconnection	Master/master
Interconnection via	Cable
Rated current	10 mA
Product category	Motion and Presence Detector

Accessories

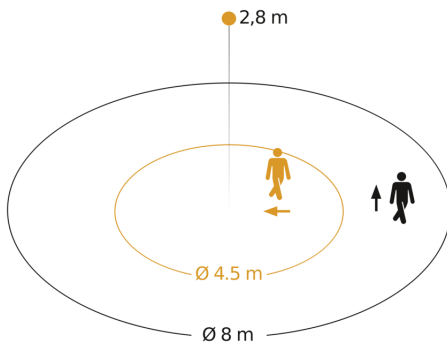
EAN 4007841 079543	Recessed adapter
EAN 4007841 009151	Remote control Smart Remote
EAN 4007841 592806	User remote control RC5
EAN 4007841 559410	Service remote control RC8

PD-8 ECO

KNX - in-ceiling installation, white
EAN 4007841 087975
Article number 087975

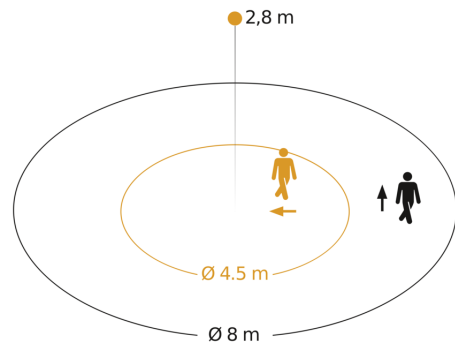


Detection Zone 1



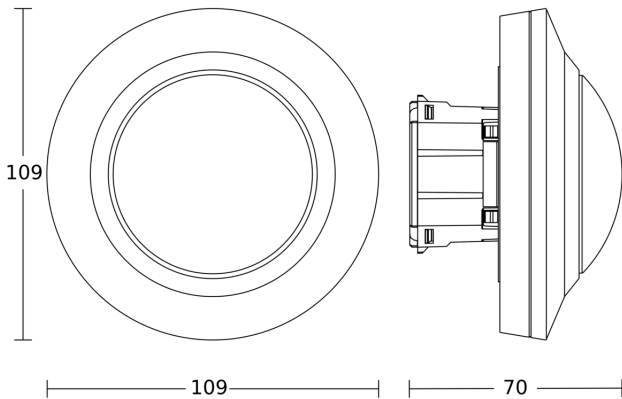
Possible mounting height: 2,00 m - 4,00 m
Orange: radial
Black: tangential

Detection Zone 2



Possible mounting height: 2,00 m - 4,00 m
Orange: radial
Black: tangential

Dimension Drawing 1



Dimension Drawing 2

