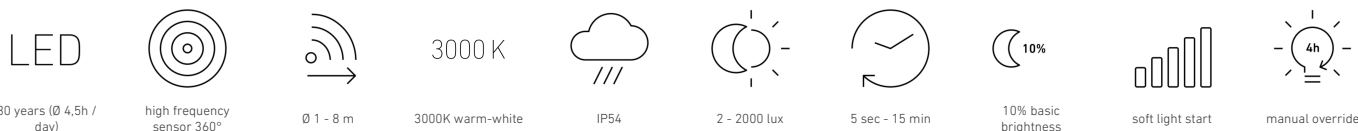


RS PRO P3 S

warm white
 EAN 4007841 056148
 Article number 056148



Function description

Circular classic. Perfect shape. Perfect efficiency. The perfect switched indoor light . The RS PRO P3 S integrates harmoniously into corridors, hallways and stairwells. It combines timeless design and extremely easy installation with pioneering technology and unbeatable efficiency. In addition, two metal discs are always included to further limit the sensor in certain directions. As many as ten lights can be interconnected by cable. Output: 18,4 W with 2072 lm, 3000 K.

Technical specifications

Dimensions (Ø x H)	400 x 142 mm
With lamp	Yes, STEINEL LED system
With motion detector	Yes
Manufacturer's Warranty	5 years
Version	warm white
PU1, EAN	4007841056148
Colour	white
Installation site	wall, ceiling
Installation	Ceiling
Impact resistance	IK03
IP-rating	IP54
Protection class	II
Ambient temperature	from -10 up to 40 °C
Housing material	Plastic
Cover material	Plastic, opal
Mains power supply	220 – 240 V / 50 – 60 Hz

Soft light start	Yes
Twilight setting	2 – 2000 lx
Time setting	5 s – 15 Min.
Basic light level function	Yes
Basic light level function time	10/30 min, all night
Main light adjustable	No
Interconnection	Yes
Interconnection via	Cable
Lifetime LED according to IEC-62717 (L70)	100.000 h
Lifetime LED according to IEC-62717 (L80)	74.000 h
LED service life according to IES TM-21 (L70)	>60.000 h
Lifetime LED according to IES TM-21 (L80)	>60.000 h
Fuse protection B10	54
Fuse protection B16	87

RS PRO P3 S

warm white
 EAN 4007841 056148
 Article number 056148



Technical specifications

Mounting height max.	4,00 m
Electronic scalability	Yes
Mechanical scalability	No
Reach, radial	Ø 8 m (50 m ²)
Reach, tangential	Ø 8 m (50 m ²)
Luminous flux total product	2072 lm
Total product efficiency	113 lm/W
Colour temperature	3000 K
Lamp	LED cannot be replaced
Base	without
LED cooling system	Passive Thermo Control

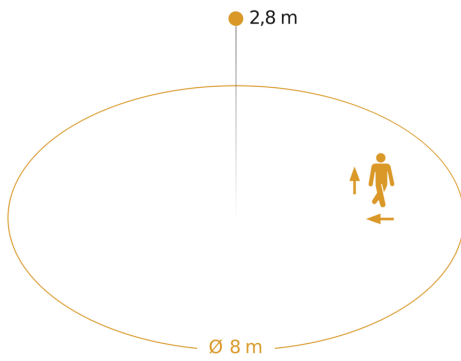
Fuse protection C10	90
Fuse protection C16	145
Switching output 1, low-voltage halogen lamps	800 VA
LED lamps > 8 W	250 W
Capacitive load in µF	88 µF
Basic light level function in per cent	10 %
Output	18,4 W
Colour Rendering Index CRI	= 82
Photobiological safety in accordance with EN 62471	RG1
Starting current, maximum	13 A
IP-rating, ceiling	IP54
Detection angle	360 °
Product category	Sensor-switched LED indoor light

RS PRO P3 S

warm white
 EAN 4007841 056148
 Article number 056148

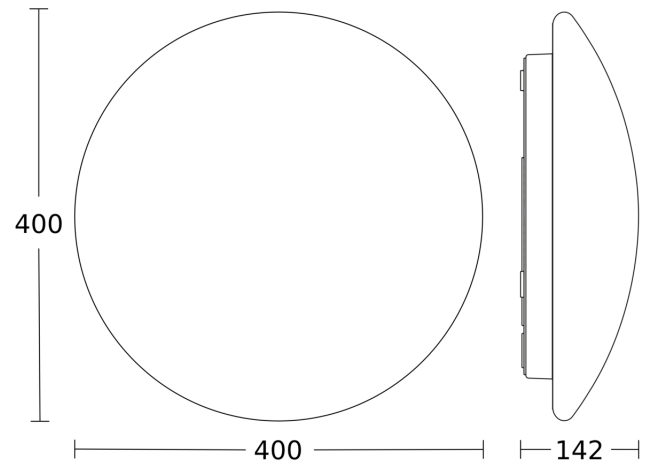


Detection Zone

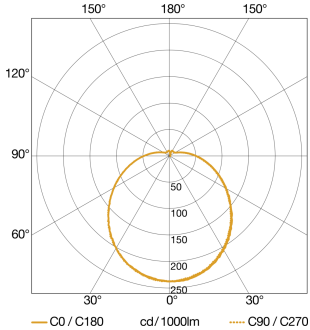


Possible mounting height: 2,00 m - 4,00 m
 Orange: radial and tangential

Dimension Drawing

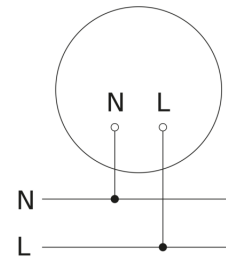


Light Distribution Curve



Output	18,4 W
With lamp	Yes, STEINEL LED system
Lamp	LED cannot be replaced
Measured luminous flux (360°)	2072 lm
Colour temperature	3000 K
LED life expectancy (max. °C)	50000 h
LED cooling system	Passive Thermo Control

Master circuit diagram

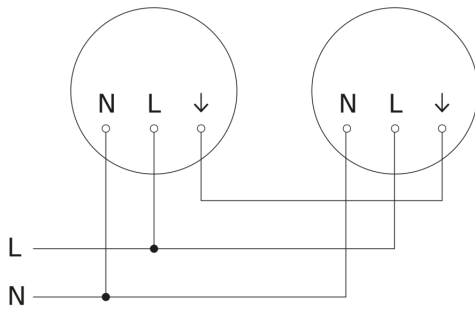


RS PRO P3 S

warm white
EAN 4007841 056148
Article number 056148



Master/master interconnection circuit diagram



Master/slave interconnection circuit diagram

