

Hallway

BT IPD - surface
EAN 4007841 086275
Article number 086275



max. 25 x 3 m



2 - 12 m



IP54



2 - 2000 lux

5 years

manufacturer's warranty steinel.de/
garantie



CE

Function description

The cleverer hallway sensor knows more. Perfect radial detection up to 25 m – ideal for long corridors and hallways. Reach can be adjusted in both directions. Contemporary Control PRO II design. Featuring Bluetooth technology. Interfaces for COM1, COM2, DALI-2 APC, DALI-2 IPD, KNX, IP and BT IPD (Slave).

Technical specifications

Dimensions (L x W x H)	62 x 123 x 123 mm	Mounting height max.	4,00 m
With motion detector	Yes	Optimum mounting height	2,8 m
Manufacturer's Warranty	5 years	HF-system	5,8 GHz
Settings via	Bluetooth Mesh	Detection	also through glass, wood and stud walls
With remote control	No	Detection angle	Aisle, 360 °
Version	BT IPD - surface	Angle of aperture	160 °
PU1, EAN	4007841086275	Sneak-by guard	Yes
Type	Presence detector	Capability of masking out individual segments	No
Application, place	Indoors	Electronic scalability	Yes
Application, room	Indoors, corridor / aisle	Mechanical scalability	No
Colour	white	Reach, radial	25 x 3 m (75 m ²)
Colour, RAL	9003	Reach, tangential	25 x 3 m (75 m ²)
Includes corner wall mount	No	Transmitter power	< 1 mW
Installation site	ceiling	Twilight setting	2 – 2000 lx
Installation	Surface wiring, Ceiling	Basic light level function	No
IP-rating	IP54	Main light adjustable	Yes
Ambient temperature	from -20 up to 50 °C		

Hallway

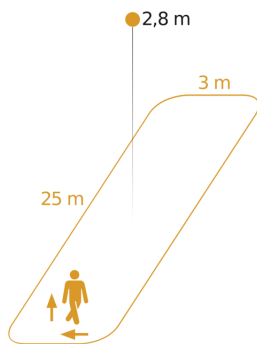
BT IPD - surface
EAN 4007841 086275
Article number 086275

Technical specifications

Material	Plastic
Mains power supply	50 – 60 Hz
Technology, sensors	High frequency, Light sensor
Mounting height	2 – 4 m

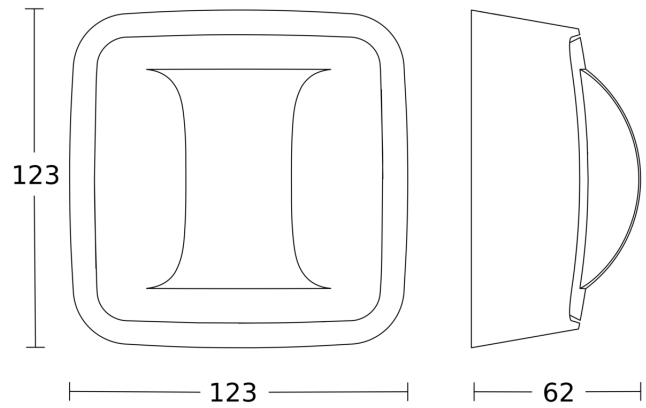
Twilight setting TEACH	No
Constant-lighting control	No
Interconnection	Yes
Interconnection via	Bluetooth Mesh
Product category	Presence detector

Detection Zone



Possible mounting height: 2,00 m – 4,00 m
Orange: radial and tangential

Dimension Drawing



Circuit diagram

