

24V-Garden LED Spot

# Spot Garden C 24V Starter Set

EAN 4007841 093907

Article number 093907



outdoor spot



Plug & Play - easy to install



Low-voltage system



Bluetooth Mesh



Settings via App



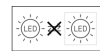
Spot: IP65



Power Supply, Cable, T-Connector: IP67



Mains Plug IP44



Light source not exchangeable



CE

## Function description

Starter set: Plug in, configure, and experience instantly. With the "Spot Garden C 24V Starter Set", you'll get a quick and easy introduction to the 24V garden lighting system. The set includes two "Spot Garden C 24V" ground spots with integrated light sensors, a 35W power supply, a 2.5 m connection cable, and a T-connector. All components can be connected effortlessly using Plug & Play and conveniently controlled via the STEINEL Connect App. Ideal for anyone looking to install stylish outdoor lighting quickly and easily – with everything you need in one set.

## Technical specifications

Dimensions (L x W x H)	69 x 118 x 369 mm	Colour temperature	all colors + 1800-4000 K
With lamp	Yes, STEINEL LED system	Colour variation LED	SDCM3
Manufacturer's Warranty	3 years	Lamp	LED cannot be replaced
Settings via	Bluetooth Mesh	Service life LED L70B50 (25°)	> 60000 h
With remote control	No	Continuous light	selectable
PU1, EAN	4007841093907	Twilight setting	2 – 2000 lx
Application, place	Outdoors	Main light adjustable	10 - 100 %
Application, room	outdoors, garden, terrace / balcony	Twilight setting TEACH	Yes
Colour	Anthracite	Interconnection	Yes
includes sheet of self-adhesive numbers	No	Interconnection via	Bluetooth Mesh
Installation site	Floor	R9-Farb-wiedergabeindex	60
IP-rating	IP65	Product category	24V-Garden LED Spot
Ambient temperature	from -20 up to 40 °C	Anzahl der Ausgänge	2
Housing material	Aluminium	Geeignet für Konstantspannung	Yes
Cover material	PC structured	Geeignet für Konstantstrom	No
Output	7,8 W	Ausgangsleistung	35 W

<https://www.steinel.de>

Subject to technical modifications

03.2026 Page 1 from 2

# Spot Garden C 24V Starter Set

EAN 4007841 093907  
Article number 093907

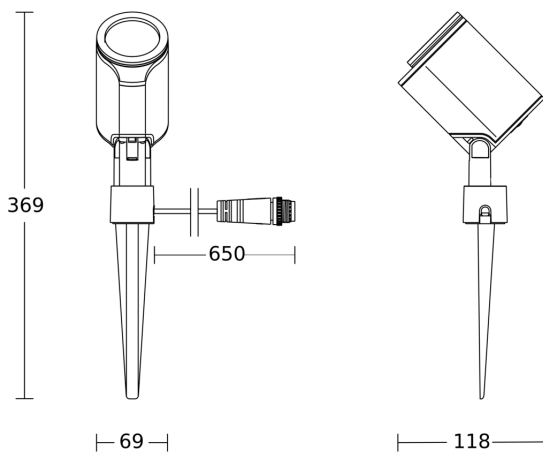
## Technical specifications

Average rated life expectancy of power supply unit at 25°C	> 60000 h	Ausgangsstrom	1,45 mA
Luminous flux total product	363 lm	Ausgangsspannung	24 V
Measured luminous flux (360°)	363 lm		

## Accessories

EAN 4007841 089276	Cable 24V 1m
EAN 4007841 089283	Cable 24V 2,5m
EAN 4007841 089290	Cable 24V 5m
EAN 4007841 089252	Power Supply 24V 35 W
EAN 4007841 089269	Power Supply 24V 100 W
EAN 4007841 089306	T-Connector 24V
EAN 4007841 089313	Cross Connector 24V
EAN 4007841 088620	Wireless pushbutton TapDuo C

## Dimension Drawing 1



## Dimension Drawing 2

