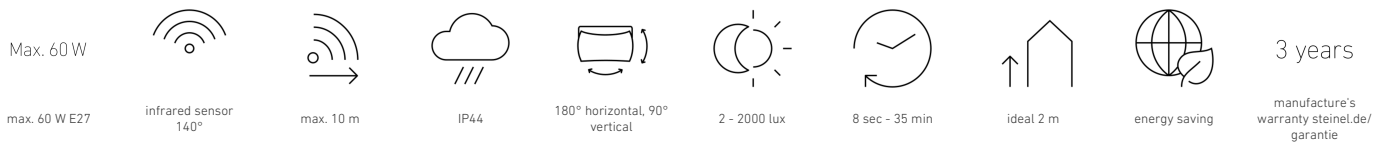


Sensor-switched outdoor light

L 560 S

black
EAN 4007841 634216
Article number 634216



Function description

Classic globe design. Outdoor SensorLight L 560 S, ideal for building fronts and entrances, 140° angle of coverage, reach up to 12 m, selectable time and twilight threshold, sensor tilts through 70° and turns through 130° for exact adjustment of the detection zone.

Technical specifications

Dimensions (L x W x H)	243 x 215 x 368 mm	Mounting height max.	3,00 m
With lamp	No	Slave modeselectable	No
Manufacturer's Warranty	3 years	Sneak-by guard	No
Settings via	Potentiometers	Capability of masking out individual segments	Yes
With remote control	No	Electronic scalability	No
Version	black	Mechanical scalability	No
PU1, EAN	4007841634216	Reach, radial	r = 5 m (31 m ²)
Application, place	Outdoors	Reach, tangential	r = 12 m (176 m ²)
Application, room	outdoors, front door, all round the building, terrace / balcony, courtyard & driveway	Photo-cell controller	Yes
Colour	black	Cover material	sticker
Package content	1	Lamp	All-purpose lamp
Installation site	wall	Base	E27
Impact resistance	IK03	Soft light start	No
IP-rating	IP44	Twilight setting	2 – 2000 lx
Protection class	II	Time setting	8 s – 35 Min.
Ambient temperature	from -20 up to 40 °C	Basic light level function	No
		Interconnection	No

<https://www.steinel.de>

Subject to technical modifications

03.2026 Page 1 from 2

Sensor-switched outdoor light

L 560 S

black
EAN 4007841 634216
Article number 634216

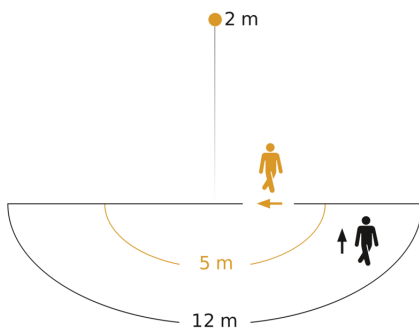


Technical specifications

Housing material	Plastic
Cover material	Glass transparent
Mains power supply	230 – 240 V / 50 Hz
Output	60 W
Power consumption	0,55 W

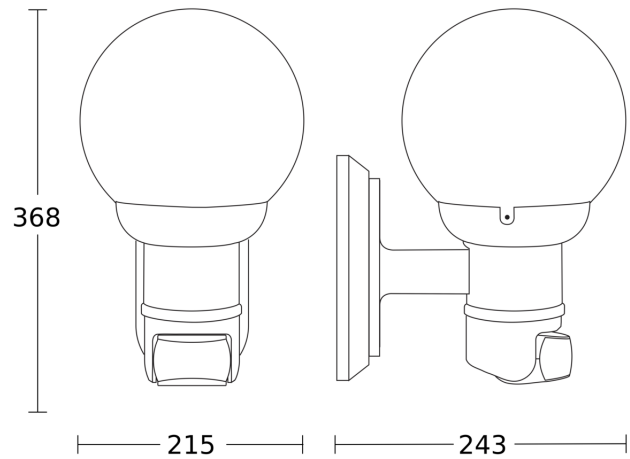
Optimum mounting height	2 m
Detection angle	140 °
Product category	Sensor-switched outdoor light

Detection Zone



Possible mounting height: 1,80 m – 3,00 m
Orange: radial
Black: tangential

Dimension Drawing



Circuit diagram

