

Motion detector - Professional Line

HF 3360

DALI-2 APC - concealed, sq.
EAN 4007841 033743
Article number 033743



high frequency
sensor 360°



max. Ø 8 m



IP20



2 - 1000 lux



5 sec - 15 min



manual override
4h



ideal 2 - 2,8 m

Teach

Teach mode



energy saving

5 years

manufacturer's
warranty
[steinel-professional.de/garantie](https://www.steinel.de/garantie)

Function description

Perfection through and through. High-frequency motion detector HF 3360, ideal for basement corridors, stairwells, multi-storey car parks, installation height 2.8 m, 360° angle of coverage, reach 1 – 8 m (radial), detection regardless of temperature, HF-sensor technology also detects movement through glass, wood and stud walls. Available either in round or square surface-mounted and concealed version.

HF 3360

DALI-2 APC - concealed, sq.

EAN 4007841 033743

Article number 033743



Technical specifications

Type	Motion detectors
Dimensions (L x W x H)	64 x 94 x 94 mm
Mains power supply	220 – 240 V / 50 – 60 Hz
Sensor Technology	High frequency
Application, place	Indoors
Installation site	wall, ceiling, corner
Installation	Concealed wiring
Mounting height	2,00 – 4,00 m
Reach, radial	Ø 8 m (50 m ²)
Reach, tangential	Ø 8 m (50 m ²)
HF-system	5,8 GHz
Detection angle	360 °
Angle of aperture	180 °
Optimum mounting height	2,8 m
Mechanical scalability	No
Sneak-by guard	Yes
Capability of masking out individual segments	No
Electronic scalability	Yes
Detection	also through glass, wood and stud walls
Twilight setting TEACH	Yes
Twilight setting	2 – 1000 lx
Time setting	5 s – 15 Min.

Control output, Dali	Broadcast 1x30 electronic ballasts
Constant-lighting control	Yes
Basic light level function	Yes
Basic light level function in per cent	10 – 50 %
Basic light level function time	1-30 min, all night
Basic light level function percentage, from	10 %
Basic light level function percentage, up to	50 %
Functions	Normal / test mode, Manual ON / ON-OFF, Constant-lighting control ON-OFF
Settings via	Remote control, Potentiometers, Smart Remote
With remote control	No
Interconnection	Yes
Type of interconnection	Master/slave
IP-rating	IP20
Material	Plastic
Ambient temperature	-20 – 50 °C
Application, room	function room / ancillary room, stairwell, WC / washroom, multi-storey / underground car park, Indoors
Colour	white
Colour, RAL	9003
IDs, certificates	DALI-2
Manufacturer's Warranty	5 years
Version	DALI-2 APC - concealed, sq.
PU1, EAN	4007841033743

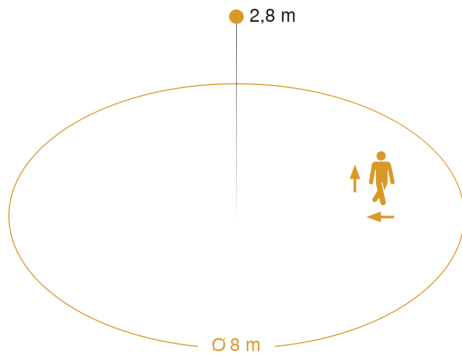
Accessories

EAN 4007841 009151	Remote control Smart Remote
EAN 4007841 559410	Service remote control RC8
EAN 4007841 592806	User remote control RC5
EAN 4007841 035174	Corner wall mount 3000
EAN 4007841 056681	Black cover for HF 3360

HF 3360

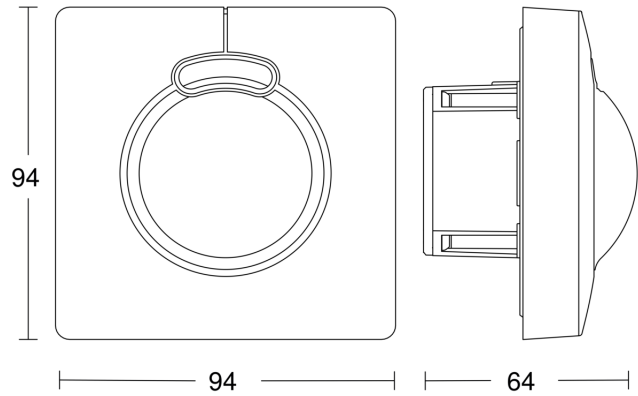
DALI-2 APC - concealed, sq.
 EAN 4007841 033743
 Article number 033743

Detection Zone

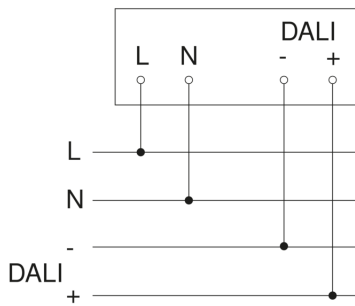


Mögliche Montagehöhe: 2,00 m – 4,00 m
 Orange: radial und tangential

Dimension Drawing



Master circuit diagram



Circuit diagram for interconnecting DALI-2 APC with DALI-2 IPD

