

HF 3360

DALI-2 IPD - concealed, sq.
EAN 4007841 057336



high frequency
sensor 360°



max. Ø 8 m



IP20



2 - 1000 lux



ideal 2 - 2,8 m



energy saving



5 JAHRE
HERSTELLER
GARANTIE
www.steinel-professional.de/garantie



CE

Function description

Perfection through and through. High-frequency motion detector HF 3360, ideal for basement corridors, stairwells, multi-storey car parks, installation height 2.8 m, 360° angle of coverage, reach 1 – 8 m (radial), detection regardless of temperature, HF-sensor technology also detects movement through glass, wood and stud walls. Available either in round or square surface-mounted and concealed version. DALI-2 Input Device enables sensors to communicate collected sensor data to higher-level lighting management systems.

Technical specifications

Type	Motion detectors
Dimensions (L x W x H)	64 x 94 x 94 mm
Mains power supply	12 – 22,5 V
Power consumption	0,5 W
Sensor Technology	High frequency
Application, place	Indoors
Application, place, room	function room / ancillary room, stairwell, WC / washroom, multi-storey / underground car park, Indoors
Installation site	wall, ceiling, corner
Installation	Concealed wiring
HF-system	5,8 GHz
Electronic scalability	Yes
Mechanical scalability	No
Mounting height	2,00 – 4,00 m
Optimum mounting height	2,8 m
Detection	also through glass, wood and stud walls
Detection angle	360 °
Angle of aperture	160 °
Sneak-by guard	Yes

Reach, radial	Ø 8 m (50 m ²)
Reach, tangential	Ø 8 m (50 m ²)
Twilight setting TEACH	No
Twilight setting	2 – 1000 lx
Control output, Dali	Addressable/slave
Constant-lighting control	No
Basic light level function	No
With bus coupling	Yes
Settings via	Bus
With remote control	No
IP-rating	IP20
Material	Plastic
Ambient temperature	-20 – 50 °C
Colour	white
Colour, RAL	9003
Manufacturer's Warranty	5 years
Version	DALI-2 IPD - concealed, sq.
PU1, EAN	4007841057336

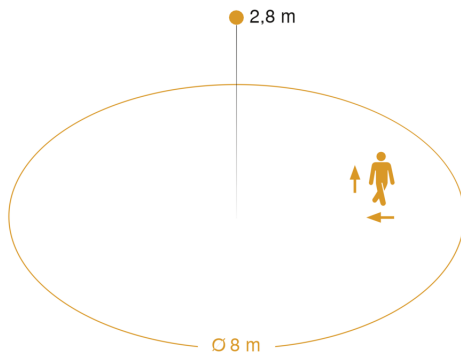
HF 3360

DALI-2 IPD - concealed, sq.
EAN 4007841 057336

Accessories

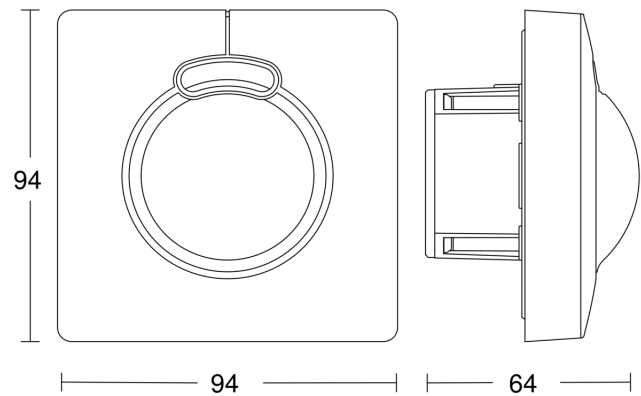
EAN 4007841 009151	Remote control Smart Remote
EAN 4007841 035174	Corner wall mount 3000
EAN 4007841 056681	Black cover for HF 3360

Detection Zone



Mögliche Montagehöhe: 2,00 m – 4,00 m
Orange: radial und tangential

Dimension Drawing



Circuit diagram

