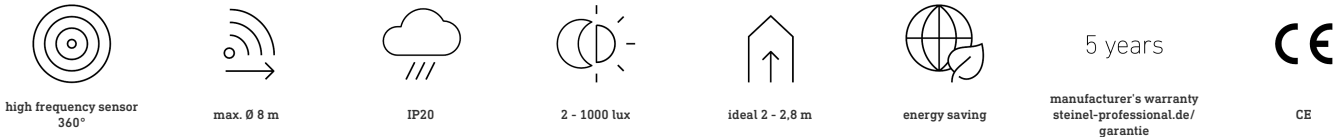


HF 3360

DALI-2 Input Device - concealed, rd.
 EAN 4007841 057343
 Article number 057343



Function description

Perfection through and through. High-frequency motion detector HF 3360, ideal for basement corridors, stairwells, multi-storey car parks, installation height 2.8 m, 360° angle of coverage, reach 1 – 8 m (radial), detection regardless of temperature, HF-sensor technology also detects movement through glass, wood and stud walls. Available either in round or square surface-mounted and concealed version. DALI-2 Input Device enables sensors to communicate collected sensor data to higher-level lighting management systems (e.g. LiveLink).

Technical specifications

Dimensions (Ø x H)	124 x 95 mm	Mounting height max.	4,00 m
With motion detector	Yes	Optimum mounting height	2,8 m
Manufacturer's Warranty	5 years	HF-system	5,8 GHz
Settings via	Bus	Detection	also through glass, wood and stud walls
With remote control	No	Detection angle	360 °
Version	DALI-2 Input Device - concealed, rd.	Angle of aperture	180 °
PU1, EAN	4007841057343	Sneak-by guard	Yes
Type	Motion detectors	Capability of masking out individual segments	No
Application, place	Indoors	Electronic scalability	Yes
Application, room	function room / ancillary room, stairwell, WC / washroom, multi-storey / underground car park, Indoors	Mechanical scalability	No
Colour	white	Reach, radial	Ø 8 m (50 m ²)
Colour, RAL	9003	Reach, tangential	Ø 8 m (50 m ²)
Includes corner wall mount	No	Transmitter power	< 1 mW
Installation site	wall, ceiling, corner	Twilight setting	2 – 1000 lx
		Basic light level function	No

HF 3360

DALI-2 Input Device - concealed, rd.
 EAN 4007841 057343
 Article number 057343



Technical specifications

Installation	Concealed wiring, Wall, Ceiling, corner	Main light adjustable	No
IP-rating	IP20	Twilight setting TEACH	No
Ambient temperature	-20 – 50 °C	Constant-lighting control	No
Material	Plastic	Interconnection	Yes
Mains power supply	12 – 22,5 V	Type of interconnection	Master/slave
Power consumption	0,5 W	Interconnection via	DALI bus
Power supply, detail	DALI bus	Max. Current consumption according to IEC 62386-101	24 mA
Number of Dali users	5	Typical current consumption at 16V input voltage	8 mA
Control output, Dali	Addressable/slave	Max. Current consumption at 10V input voltage in regular operation	12 mA
Technology, sensors	High frequency, Light sensor		
Mounting height	2,00 – 4,00 m		

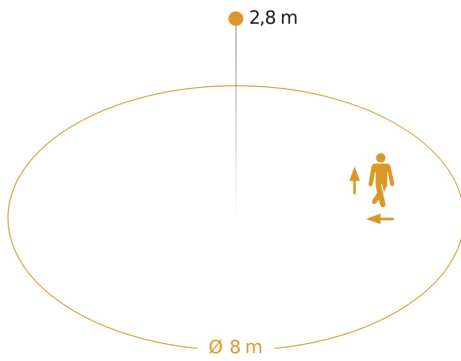
Accessories

EAN 4007841 009151	Remote control Smart Remote
EAN 4007841 056704	Black cover for HF 3360

HF 3360

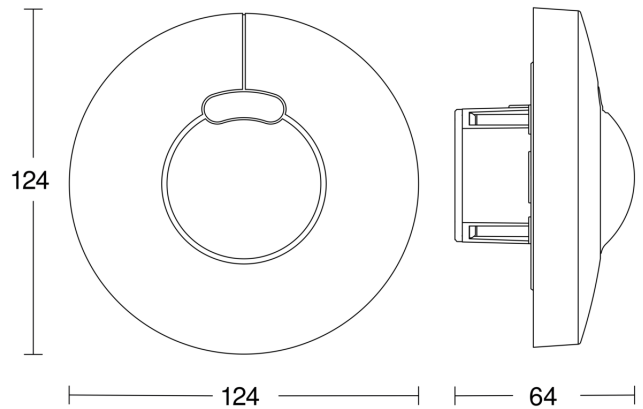
DALI-2 Input Device - concealed, rd.
EAN 4007841 057343
Article number 057343

Detection Zone



Possible mounting height: 2,00 m - 4,00 m
Orange: radial and tangential

Dimension Drawing



Circuit diagram

