

Motion detector

IS 140-2

white
EAN 4007841 608910
Article number 608910



infrared sensor
140°



max. 14 m

1000 W

1000 W max.



IP54



180° horizontal, 90°
vertical



2 - 2000 lux



8 sec - 35 min



Ideal 2 m



energy saving

3 years

manufacturer's
warranty steinel.de/
garantie

Function description

The classic detector, now with even more class. Infrared motion detector IS 140-2, for indoors and out, ideal for targeted detection close to the building, 140° angle of coverage, reach up to 14 m, selectable time and twilight threshold, sensor turns through 180° and tilts through 90° for exact adjustment of the detection zone.

Technical specifications

Dimensions (L x W x H)	99 x 86 x 82 mm	LED lamps > 2 W < 8 W	125 W
Manufacturer's Warranty	3 years	LED lamps > 8 W	250 W
Settings via	Potentiometers	Capacitive load in µF	88 µF
With remote control	No	Technology, sensors	passive infrared, Light sensor
Version	white	Mounting height	1,80 – 3,00 m
PU1, EAN	4007841608910	Mounting height max.	3,00 m
Type	Motion detectors	Optimum mounting height	2 m
Application, place	Outdoors, Indoors	Detection angle	140 °
Application, room	outdoors, front door, all round the building, terrace / balcony, courtyard & driveway	Angle of aperture	40 °
Colour	white	Sneak-by guard	Yes
Colour, RAL	9010	Capability of masking out individual segments	Yes
Includes corner wall mount	No	Electronic scalability	No
Installation site	wall, corner	Mechanical scalability	No
Package content	1	Reach, radial	r = 3 m (11 m ²)
Installation	Surface wiring, Wall	Reach, tangential	r = 14 m (239 m ²)
IP-rating	IP54	Switching zones	144 switching zones

Motion detector

IS 140-2

white
EAN 4007841 608910
Article number 608910



Technical specifications

Protection class	II
Ambient temperature	from -20 up to 50 °C
Material	Plastic
Mains power supply	230 – 240 V / 50 Hz
Switching output 1, resistive	1000 W
Fluorescent lamps, electronic ballast	250 W
Fluorescent lamps, uncorrected	500 VA
Fluorescent lamps, series-corrected	500 VA
Fluorescent lamps, parallel-corrected	500 VA
Switching output 1, low-voltage halogen lamps	1000 VA
LED lamps < 2 W	100 W

Twilight setting	2 – 2000 lx
Time setting	8 s – 35 Min.
Basic light level function	No
Main light adjustable	No
Twilight setting TEACH	No
Constant-lighting control	No
Interconnection	Yes
Type of interconnection	Master/master
Interconnection via	Cable
Product category	Motion detector

Accessories

EAN 4007841 631765

Corner wall mount 07 white

EAN 4007841 631864

Corner wall mount 07 (IS 140-2) black

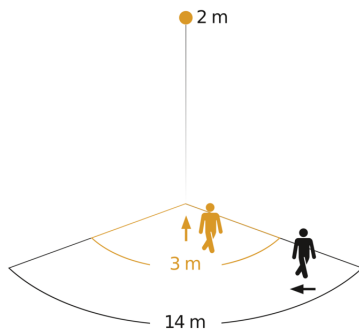
Motion detector

IS 140-2

white
EAN 4007841 608910
Article number 608910

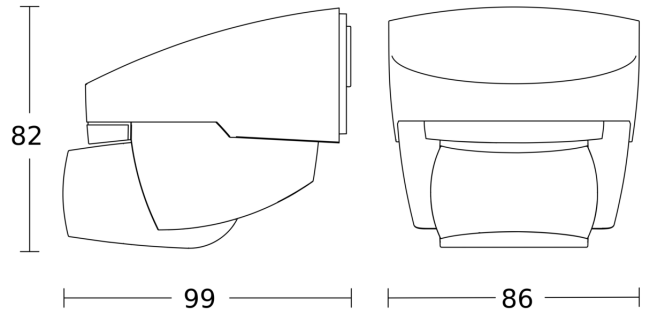


Detection Zone

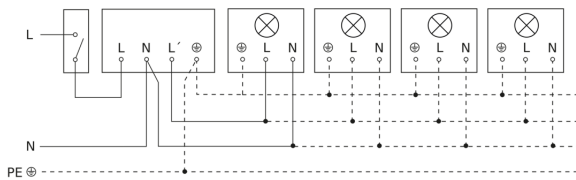


Possible mounting height: 1,80 m - 3,00 m
Orange: radial
Black: tangential

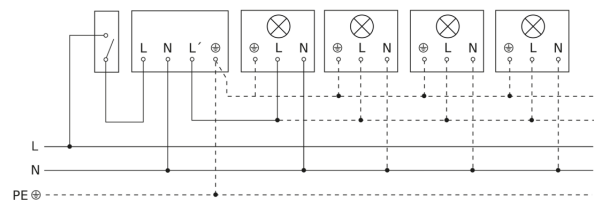
Dimension Drawing



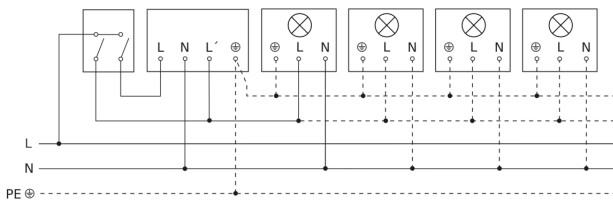
Light without neutral conductor



Light with neutral conductor



Connection using two-circuit switch for manual and automatic operation



Circuit diagram Connection via a changeover switch for continuous and automatic operation

