

## Motion detector

# IS 180-2

Anthracite  
EAN 4007841 034580  
Article number 034580



Infrarot-Sensor  
180°



Max. 12 m

1000 W

1000 W max. (LED-  
fähig)



IP54



2 - 2000 Lux



5 Sek - 15 Min



Ideal 2 m



Energie sparen

3 years

Herstellergarantie



CE

## Function description

Homeowner's darling. Infrared wall sensor IS 180-2, for indoors and out, ideal for expansive building fronts and driveways, corner wall bracket for corner mounting available as accessory, 180° angle of coverage, reach can be set up to 12 m or up to 5 m, selectable time and twilight threshold, detection zone can be customised with shrouds.

## Technical specifications

Dimensions (L x W x H)	56 x 76 x 120 mm	LED lamps < 2 W	16 W
Manufacturer's Warranty	3 years	LED lamps > 2 W < 8 W	64 W
Settings via	Potentiometers	LED lamps > 8 W	64 W
With remote control	No	Capacitive load in µF	132 µF
Version	Anthracite	Technology, sensors	passive infrared, Light sensor
PU1, EAN	4007841034580	Mounting height	1,80 – 4,00 m
Type	Motion detectors	Mounting height max.	4,00 m
Application, place	Indoors, Outdoors	Optimum mounting height	2 m
Application, room	outdoors, front door, all round the building, terrace / balcony, courtyard & driveway	Detection angle	180 °
Colour	Anthracite	Angle of aperture	90 °
Colour, RAL	7016	Sneak-by guard	Yes
Includes corner wall mount	No	Capability of masking out individual segments	Yes
Installation site	wall, corner	Electronic scalability	No
Installation	Surface wiring, Wall, corner	Mechanical scalability	No
IP-rating	IP54	Reach, tangential	r = 5 m (39 m <sup>2</sup> ) / r = 12 m (226 m <sup>2</sup> )
Protection class	II	Switching zones	504 switching zones

<https://www.steinel.de>

Subject to technical modifications

04.2024 Page 1 from 3

Motion detector

# IS 180-2

Anthracite  
EAN 4007841 034580  
Article number 034580



## Technical specifications

Ambient temperature	-20 – 50 °C	Twilight setting	2 – 2000 lx
Material	Plastic	Time setting	5 s – 15 Min.
Mains power supply	230 V / 50 Hz	Basic light level function	No
Switching output 1, resistive	1000 W	Main light adjustable	No
Switching output 1, number of LEDs / fluorescent lamps	6 pcs.	Twilight setting TEACH	No
Fluorescent lamps, electronic ballast	1000 W	Constant-lighting control	No
Fluorescent lamps, uncorrected	500 VA	Interconnection	Yes
Fluorescent lamps, series-corrected	406 VA	Type of interconnection	Master/master
Fluorescent lamps, parallel-corrected	406 VA	Interconnection via	Cable
Switching output 1, low-voltage halogen lamps	1000 VA		

## Accessories

EAN 4007841 085148

Corner wall mount for IS 180-2, IS 2180-2 and IS 2180 ECO

Motion detector

# IS 180-2

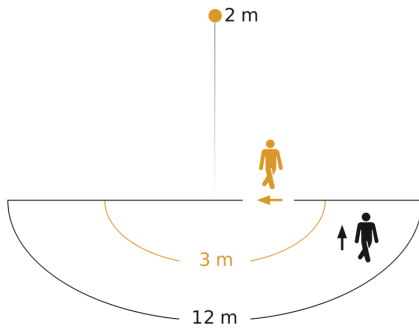
Anthracite

EAN 4007841 034580

Article number 034580



## Detection Zone

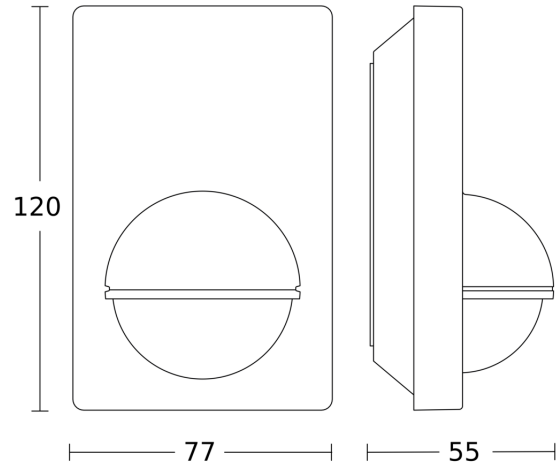


Possible mounting height: 1,80 m - 4,00 m

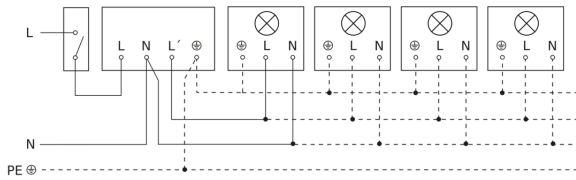
Orange: radial

Black: tangential

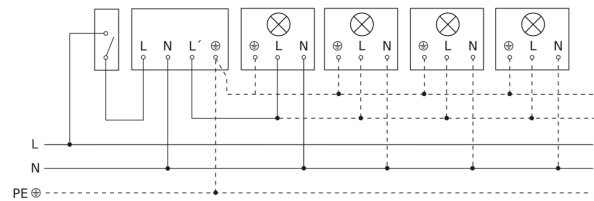
## Dimension Drawing



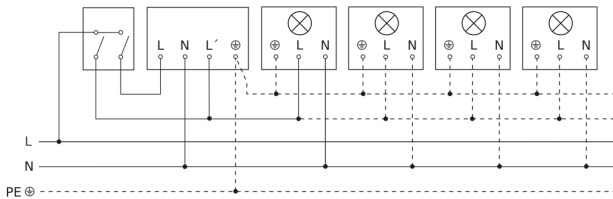
## Light without neutral conductor



## Light with neutral conductor



## Connection using two-circuit switch for manual and automatic operation



## Circuit diagram Connection via a changeover switch for continuous and automatic operation

