

# IS 2180-2

Anthracite  
 EAN 4007841 057664  
 Article number 057664



Infrarot-Sensor  
180°

1000 W

1000 W max. (LED-fähig)



Max. Ø 12 m



IP54



2 - 2000 Lux



5 Sek - 15 Min



Ideal 2 m



Energie sparen

5 years

Herstellergarantie  
 steinel-  
 professional.de/  
 garantie



CE

## Function description

Attractive, clever, efficient. Infrared motion detector IS 2180-2 for outdoors, ideal for building fronts and properties, medium-sized business and outdoor spaces, ideal installation height 2 m, 180° angle of coverage, reach. 12 m max. or 5 m max. (tangential), selectable time and twilight threshold, manual override, for outdoor and indoor installation .

## Technical specifications

Dimensions (L x W x H)	55 x 78 x 120 mm
With motion detector	Yes
Manufacturer's Warranty	5 years
Settings via	Potentiometers
With remote control	No
Version	Anthracite
PU1, EAN	4007841057664
Type	Motion detectors
Application, place	Outdoors, Indoors
Application, room	outdoors, front door, all round the building, terrace / balcony, courtyard & driveway
Colour	Anthracite
Colour, RAL	7016
Includes corner wall mount	No
Installation site	wall, corner
Installation	Surface wiring, Wall, corner

LED lamps > 2 W < 8 W	64 W
LED lamps > 8 W	64 W
Capacitive load in µF	132 µF
Power consumption	0,5 W
Technology, sensors	passive infrared, Light sensor
Mounting height	1,8 – 4 m
Mounting height max.	4,00 m
Optimum mounting height	2 m
Detection angle	180 °
Angle of aperture	90 °
Sneak-by guard	Yes
Capability of masking out individual segments	Yes
Electronic scalability	No
Mechanical scalability	No
Reach, radial	r = 1.5 m (4 m <sup>2</sup> ) / r = 3 m (14 m <sup>2</sup> )
Reach, tangential	r = 5 m (39 m <sup>2</sup> ) / r = 12 m (226 m <sup>2</sup> )

# IS 2180-2

Anthracite  
EAN 4007841 057664  
Article number 057664



## Technical specifications

IP-rating	IP54
Ambient temperature	-20 – 50 °C
Material	Plastic
Mains power supply	230 V / 50 Hz
Switching output 1, resistive	1000 W
Switching output 1, number of LEDs / fluorescent lamps	6 pcs.
Switching output 1, floating	No
Fluorescent lamps, electronic ballast	1000 W
Fluorescent lamps, uncorrected	500 VA
Fluorescent lamps, series-corrected	406 VA
Fluorescent lamps, parallel-corrected	406 VA
Switching output 1, low-voltage halogen lamps	1000 VA
LED lamps < 2 W	16 W

Switching zones	508 switching zones
Cover material	shrouds
Twilight setting	2 – 2000 lx
Time setting	5 s – 15 Min.
Basic light level function	No
Main light adjustable	No
Twilight setting TEACH	No
Constant-lighting control	No
Interconnection	Yes
Type of interconnection	Master/master
Interconnection via	Cable

## Accessories

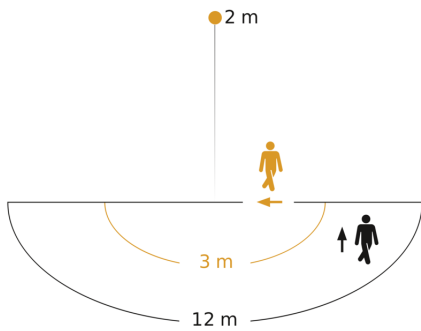
EAN 4007841 085148

Corner wall mount for IS 180-2, IS 2180-2 and IS 2180 ECO

# IS 2180-2

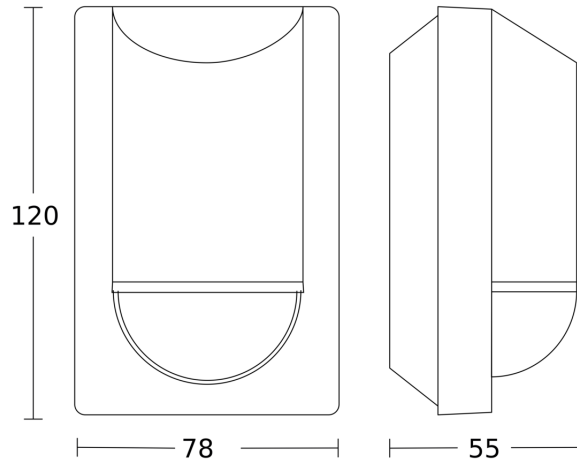
Anthracite  
 EAN 4007841 057664  
 Article number 057664

## Detection Zone

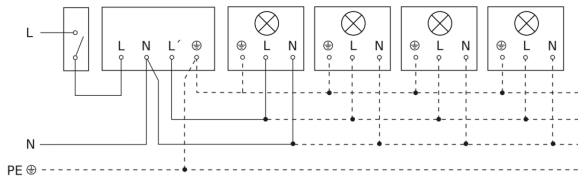


Possible mounting height: 1,80 m - 4,00 m  
 Orange: radial  
 Black: tangential

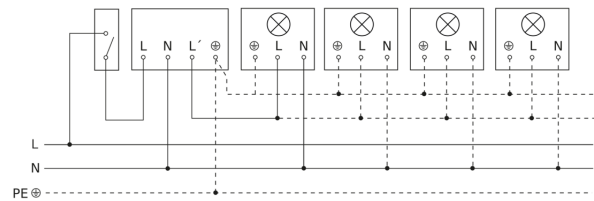
## Dimension Drawing



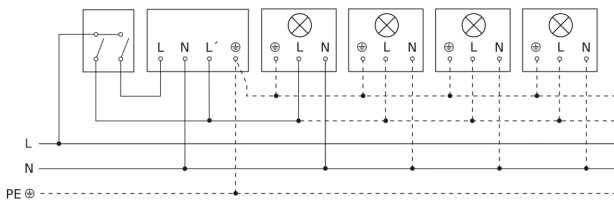
## Light without neutral conductor



## Light with neutral conductor



## Connection using two-circuit switch for manual and automatic operation



## Connection of 4-fold push-button coupler to DALI2 APC

