

# IS 2180-2

black  
 EAN 4007841 603717  
 Article number 603717



Infrarot-Sensor  
180°



Max. Ø 12 m

1000 W

1000 W max. (LED-fähig)



IP54



2 - 2000 Lux



5 Sek - 15 Min



Ideal 2 m



Energie sparen

5 years

Herstellergarantie  
steinel-  
professional.de/  
garantie



CE

## Function description

Attractive, clever, efficient. Infrared motion detector IS 2180-2 for outdoors, ideal for building fronts and properties, medium-sized business and outdoor spaces, ideal installation height 2 m, 180° angle of coverage, reach. 12 m max. or 5 m max. (tangential), selectable time and twilight threshold, manual override, for outdoor and indoor installation .

## Technical specifications

Dimensions (L x W x H)	55 x 78 x 120 mm	LED lamps > 2 W < 8 W	64 W
Manufacturer's Warranty	5 years	LED lamps > 8 W	64 W
Settings via	Potentiometers	Capacitive load in µF	132 µF
With remote control	No	Technology, sensors	passive infrared, Light sensor
Version	black	Mounting height	1,80 – 4,00 m
PU1, EAN	4007841603717	Mounting height max.	4,00 m
Type	Motion detectors	Optimum mounting height	2 m
Application, place	Outdoors, Indoors	Detection angle	180 °
Application, room	outdoors, front door, all round the building, terrace / balcony, courtyard & driveway	Angle of aperture	90 °
Colour	black	Sneak-by guard	Yes
Colour, RAL	9005	Capability of masking out individual segments	Yes
Includes corner wall mount	No	Electronic scalability	No
Installation site	wall, corner	Mechanical scalability	No
Installation	Surface wiring, Wall, corner	Reach, radial	r = 1.5 m (4 m <sup>2</sup> ) / r = 3 m (14 m <sup>2</sup> )
IP-rating	IP54	Reach, tangential	r = 5 m (39 m <sup>2</sup> ) / r = 12 m (226 m <sup>2</sup> )
		Switching zones	504 switching zones

# IS 2180-2

black  
EAN 4007841 603717  
Article number 603717



## Technical specifications

Ambient temperature	-20 – 50 °C
Material	Plastic
Mains power supply	230 – 240 V / 50 Hz
Switching output 1, resistive	1000 W
Switching output 1, number of LEDs / fluorescent lamps	6 pcs.
Fluorescent lamps, electronic ballast	1000 W
Fluorescent lamps, uncorrected	500 VA
Fluorescent lamps, series-corrected	406 VA
Fluorescent lamps, parallel-corrected	406 VA
Switching output 1, low-voltage halogen lamps	1000 VA
LED lamps < 2 W	16 W

Twilight setting	2 – 2000 lx
Time setting	5 s – 15 Min.
Basic light level function	No
Main light adjustable	No
Twilight setting TEACH	No
Constant-lighting control	No
Interconnection	Yes
Type of interconnection	Master/master
Interconnection via	Cable

## Accessories

EAN 4007841 085148

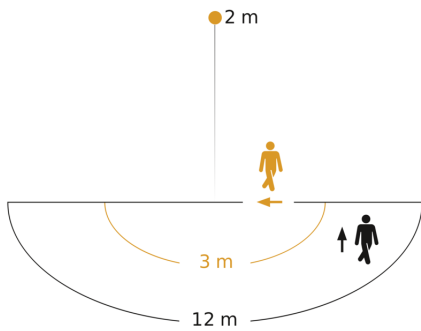
Corner wall mount for IS 180-2, IS 2180-2 and IS 2180 ECO

# IS 2180-2

black  
 EAN 4007841 603717  
 Article number 603717

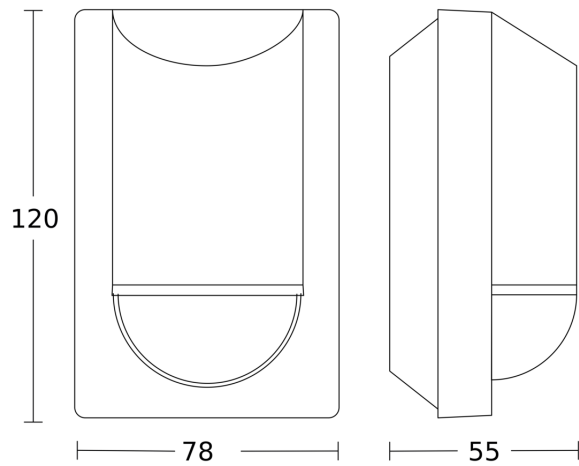


## Detection Zone

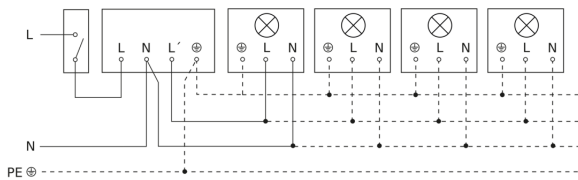


Possible mounting height: 1,80 m - 4,00 m  
 Orange: radial  
 Black: tangential

## Dimension Drawing



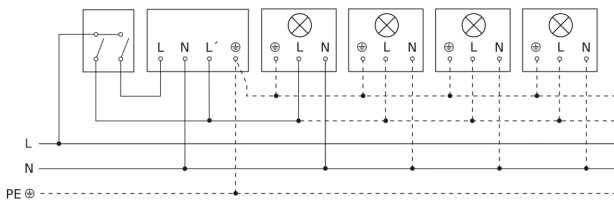
## Light without neutral conductor



## Light with neutral conductor



## Connection using two-circuit switch for manual and automatic operation



## Connection of 4-fold push-button coupler to DALI2 APC

