

Motion detector - Professional Line

# IS 2360 ECO



EAN 4007841 006556



infrared sensor  
360°



max. 7 m

2000w

2000 W max.  
(LED-ready)



IP54



2 - 2000 lux



8 sec - 35 min



energy saving

5 JAHRE  
HERSTELLER  
GARANTIE

manufacturer's  
warranty  
steinel-professional.de/garantie



CE

## Function description

Elegant. Compact. Inconspicuous. IS 2360 ECO precision infrared surface-mounted sensor. Ideal for porches and small rooms. 360° angle of coverage, 160° angle of aperture and 7 m reach. Includes shrouds for customising the detection zone. Passive infrared sensor technology. Easy to install. Finish colour: white.

# IS 2360 ECO

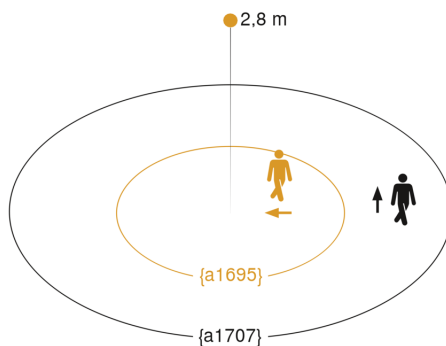
EAN 4007841 006556

## Technical specifications

Type	Motion detectors
Dimensions (Ø x H)	115 x 51 mm
Mains power supply	230 V / 50 – 60 Hz
Sensor Technology	passive infrared
Application, place	Outdoors, Indoors
Installation site	ceiling
Installation	Surface wiring
Mounting height	2,00 – 4,00 m
Reach, radial	Ø 3 m (7 m <sup>2</sup> )
Reach, tangential	Ø 7 m (38 m <sup>2</sup> )
Detection angle	360 °
Angle of aperture	180 °
Switching zones	664 switching zones
Optimum mounting height	2,8 m
Mechanical scalability	No
Sneak-by guard	Yes
Capability of masking out individual segments	Yes
Electronic scalability	No
Twilight setting TEACH	No
Twilight setting	2 – 2000 lx

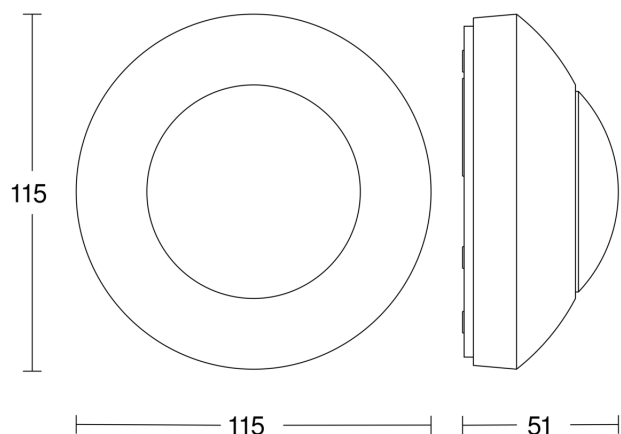
Time setting	8 s – 35 Min.
Switching output 1, resistive	2000 W
Switching output 1, number of LEDs / fluorescent lamps	6 pcs.
Capacitive load in µF	132 µF
Constant-lighting control	No
Basic light level function	No
Settings via	Potentiometers
With remote control	No
Interconnection	Yes
Type of interconnection	Master/master
IP-rating	IP54
Material	Plastic
Ambient temperature	-20 – 50 °C
Application, room	corridor / aisle, changing room, function room / ancillary room, kitchenette, stairwell, WC / washroom, multi-storey / underground car park, outdoors, warehouse, Indoors
Colour	white
Colour, RAL	9010
IDs, certificates	VDE
Manufacturer's Warranty	5 years
PU1, EAN	4007841006556

## Detection Zone



Mögliche Montagehöhe: 2,00 m – 4,00 m  
 Orange: radial  
 Schwarz: tangential

## Dimension Drawing



## Circuit diagram

