

Motion detector - Professional Line

IS 3360 MX Highbay

DALI-2 APC - surface, sq.
EAN 4007841 010577
Article number 010577



infrared sensor
360°



18 m



IP54



2 - 1000 lux



5 sec - 15 min



manual override
4h



ideal 4 - 14 m

Teach

Teach mode



energy saving

5 years

manufacturer's
warranty
[steinel-professional.de/garantie](https://www.steinel.de/garantie)

Function description

A head for heights. Powerful reach. Reliable. IS 3360 MX Highbay motion detector – ideal for high ceilings in industrial buildings or commercial properties. For mounting heights of up to 14 m. High-precision 360° infrared sensor. Maximum reach: 18 m. For watching over up to 1000 sq.m. Available as square surface-mounted and concealed version.

IS 3360 MX Highbay

DALI-2 APC - surface, sq.
 EAN 4007841 010577
 Article number 010577



Technical specifications

Type	Motion detectors
Dimensions (L x W x H)	65 x 95 x 95 mm
Mains power supply	220 – 240 V / 50 – 60 Hz
Sensor Technology	passive infrared
Application, place	Indoors
Installation site	ceiling
Installation	Surface wiring
Mounting height	4,00 – 14,00 m
Reach, radial	Ø 14 m (154 m ²)
Reach, tangential	Ø 36 m (1018 m ²)
Detection angle	360 °
Angle of aperture	180 °
Switching zones	1416 switching zones
Optimum mounting height	12 m
Mechanical scalability	No
Sneak-by guard	Yes
Capability of masking out individual segments	Yes
Electronic scalability	No
Twilight setting TEACH	Yes
Twilight setting	2 – 1000 lx
Time setting	5 s – 15 Min.
Control output, Dali	Broadcast 1x30 electronic ballasts

Constant-lighting control	Yes
Basic light level function	Yes
Basic light level function in per cent	10 – 50 %
Basic light level function time	1-30 min, all night
Basic light level function percentage, from	10 %
Basic light level function percentage, up to	50 %
Functions	Normal / test mode, Manual ON / ON-OFF, Constant-lighting control ON-OFF
Settings via	Remote control, Potentiometers, Smart Remote
With remote control	No
Interconnection	Yes
Type of interconnection	Master/slave
IP-rating	IP54
Material	Plastic
Ambient temperature	-20 – 50 °C
Application, room	high-bay warehouse, sports hall, Indoors
Colour	white
Colour, RAL	9003
IDs, certificates	DALI-2
Manufacturer's Warranty	5 years
Version	DALI-2 APC - surface, sq.
PU1, EAN	4007841010577

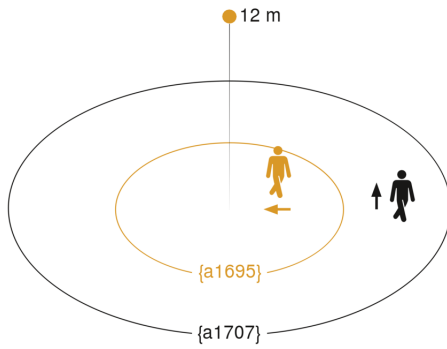
Accessories

EAN 4007841 009151	Remote control Smart Remote
EAN 4007841 559410	Service remote control RC8
EAN 4007841 592806	User remote control RC5
EAN 4007841 056711	Black cover for IR-sensors

IS 3360 MX Highbay

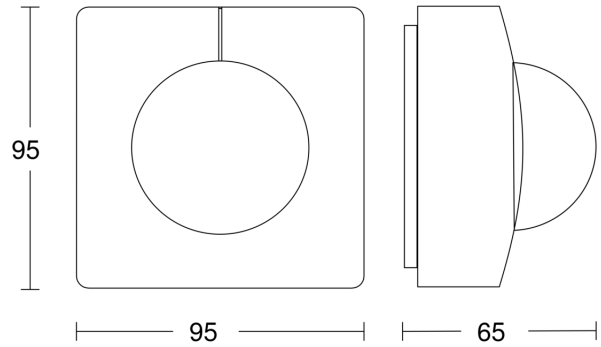
DALI-2 APC - surface, sq.
 EAN 4007841 010577
 Article number 010577

Detection Zone

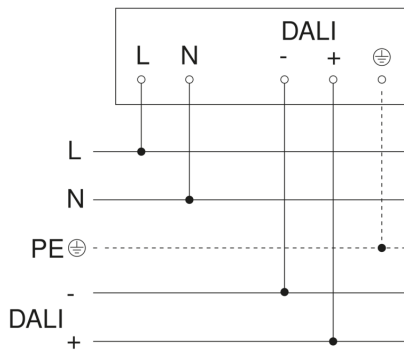


Mögliche Montagehöhe: 4,00 m – 14,00 m
 Orange: radial
 Schwarz: tangential

Dimension Drawing



Master circuit diagram



Circuit diagram for interconnecting DALI-2 APC with DALI-2 IPD

