

Motion detector

IS 240 DUO

white

EAN 4007841 602819

Article number 602819



infrared sensor
240°



max. 12 m

1000 W

1000 W max.
(LED-ready)



IP54



Sensor 160°
horizontal



2 - 2000 lux



10 sec - 15 min



Ideal 2 m



energy saving

3 years

manufacturer's
warranty
steinel.de/garantie3y

Function description

Round the corner. Infrared wall sensor IS 240 DUO, for indoors and out, 240° angle of coverage, reach up to 12 m, selectable time and twilight threshold, detection zone can be customised with shrouds.

Motion detector

IS 240 DUO

white

EAN 4007841 602819

Article number 602819



Technical specifications

Dimensions (L x W x H)	100 x 60 x 90 mm
Manufacturer's Warranty	3 years
Settings via	Potentiometers
With remote control	Nein
Version	white
PU1, EAN	4007841602819
Type	Motion detectors
Application, place	Indoors, Outdoors
Application, room	outdoors, front door, all round the building, terrace / balcony, courtyard & driveway
Colour	white
Colour, RAL	9010
Includes corner wall mount	Yes
Installation site	wall, corner
Installation	Surface wiring, Wall, corner
IP-rating	IP54
Protection class	II
Ambient temperature	-20 – 50 °C
Material	Plastic
Mains power supply	230 – 240 V / 50 Hz
Switching output 1, resistive	1000 W
Switching output 1, number of LEDs / fluorescent lamps	6 pcs.
Fluorescent lamps, electronic ballast	1000 W
Fluorescent lamps, uncorrected	500 VA
Fluorescent lamps, series-corrected	500 VA
Fluorescent lamps, parallel-corrected	5000 VA
Switching output 1, low-voltage halogen lamps	1000 VA

LED lamps	16 W
LED lamps > 2 W	64 W
LED lamps > 8 W	64 W
Capacitive load in µF	132 µF
Sensor Technology	Passive infrared
Mounting height	1,80 – 4,00 m
Mounting height max.	4,00 m
Optimum mounting height	2 m
Detection angle	240 °
Angle of aperture	180 °
Sneak-by guard	Yes
Capability of masking out individual segments	Yes
Electronic scalability	No
Mechanical scalability	No
Reach, radial	r = 5 m (52 m ²)
Reach, tangential	r = 12 m (302 m ²)
Switching zones	276 switching zones
Twilight setting	2 – 2000 lx
Time setting	10 s – 15 Min.
Basic light level function	No
Main light adjustable	No
Twilight setting TEACH	No
Constant-lighting control	No
Interconnection	Yes
Type of interconnection	Master/master
Interconnection via	Cable

Accessories

EAN 4007841 630218 Corner wall mount 01

Motion detector

IS 240 DUO

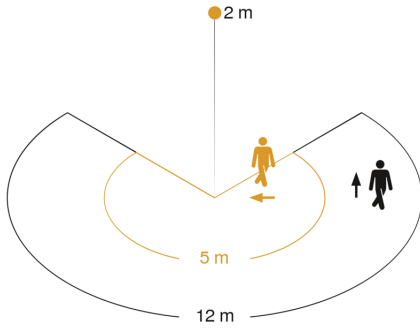
white

EAN 4007841 602819

Article number 602819



Detection Zone

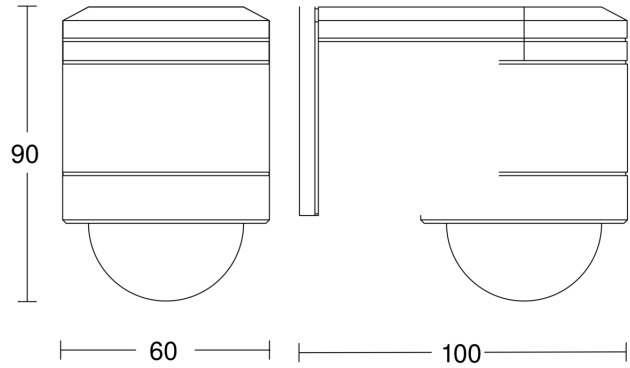


Mögliche Montagehöhe: 1,80 m – 4,00 m

Orange: radial

Schwarz: tangential

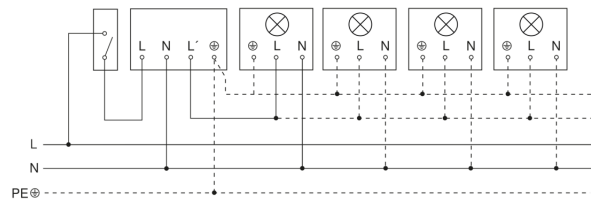
Dimension Drawing



Light without neutral conductor



Light with neutral conductor



Connection using two-circuit switch for manual and automatic operation



Connection of 4-fold push-button coupler to DALI2 APC

