

# IS 3360

DALI-2 APC - concealed, rd.  
EAN 4007841 033521  
Article number 033521



infrared sensor  
360°



max. 20 m



IP20



2 - 1000 lux



5 sec - 15 min



manual override  
4h



ideal 2,5 - 4 m

Teach

Teach mode



energy saving

5 years

manufacturer's  
warranty  
[steinel-professional.de/garantie](http://steinel-professional.de/garantie)

## Function description

Higher, further, faster. Infrared motion detector IS 3360 for indoors and out, ideal for watching over high spaces and large areas, such as multi-storey and underground car parks, installation height up to 4 m, 360° angle of coverage, reach 20 m max. (tangential). Available either in round or square surface-mounted and concealed version.

# IS 3360

DALI-2 APC - concealed, rd.

EAN 4007841 033521

Article number 033521



## Technical specifications

Type	Motion and Presence Detector
Dimensions (Ø x H)	124 x 78 mm
Mains power supply	220 – 240 V / 50 – 60 Hz
Sensor Technology	passive infrared
Application, place	Indoors
Installation site	ceiling
Installation	Concealed wiring
Mounting height	2,50 – 4,00 m
Reach, radial	Ø 8 m (50 m <sup>2</sup> )
Reach, tangential	Ø 40 m (1257 m <sup>2</sup> )
Reach, presence	Ø 3 m (7 m <sup>2</sup> )
Detection angle	360 °
Angle of aperture	180 °
Switching zones	1416 switching zones
Optimum mounting height	2,8 m
Mechanical scalability	No
Sneak-by guard	Yes
Capability of masking out individual segments	Yes
Electronic scalability	No
Twilight setting TEACH	Yes
Twilight setting	2 – 1000 lx
Time setting	5 s – 15 Min.

## Accessories

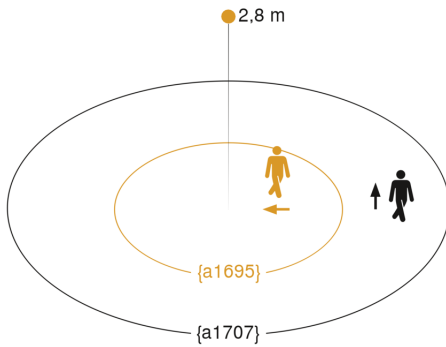
EAN 4007841 009151	Remote control Smart Remote
EAN 4007841 559410	Service remote control RC8
EAN 4007841 592806	User remote control RC5
EAN 4007841 056742	Black cover for IR-sensors

Control output, Dali	Broadcast 1x30 electronic ballasts
Constant-lighting control	Yes
Basic light level function	Yes
Basic light level function in per cent	10 – 50 %
Basic light level function time	1-30 min, all night
Basic light level function percentage, from	10 %
Basic light level function percentage, up to	50 %
Functions	Normal / test mode, Manual ON / ON-OFF, Constant-lighting control ON-OFF
Settings via	Remote control, Potentiometers, Smart Remote
With remote control	No
Interconnection	Yes
Type of interconnection	Master/slave
IP-rating	IP20
Material	Plastic
Ambient temperature	-20 – 50 °C
Application, room	production facilities, recreation room, changing room, function room / ancillary room, sports hall, reception / lobby, stairwell, WC / washroom, multi-storey / underground car park, warehouse, Indoors
Colour	white
Colour, RAL	9003
IDs, certificates	DALI-2
Manufacturer's Warranty	5 years
Version	DALI-2 APC - concealed, rd.
PU1, EAN	4007841033521

# IS 3360

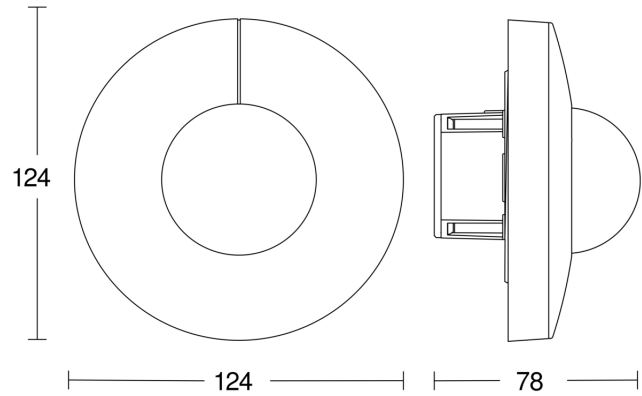
DALI-2 APC - concealed, rd.  
 EAN 4007841 033521  
 Article number 033521

## Detection Zone

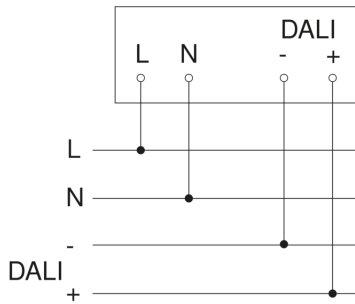


Mögliche Montagehöhe: 2,50 m – 4,00 m  
 Orange: radial  
 Schwarz: tangential

## Dimension Drawing



## Master circuit diagram



## Circuit diagram for interconnecting DALI-2 APC with DALI-2 IPD

