

IS 345 MX Highbay

COM1 - concealed, sq.
EAN 4007841 033910



infrared sensor
360°



max. 30 x 4 m

2000w

max. 2000 W



IP20



2 - 1000 lux



5 sec - 15 min



manual override



ideal 4 - 14 m

TEACH

Teach mode



energy saving

Function description

Surveillance on the highest level. Infrared motion detector IS 345 MX Highbay for indoors, ideal for large heights in depots, high-bay warehouses, machine shops, check-in areas and departure lounges, installation height 14 m, detection zone 30 x 4 m (radial), large terminal compartment for easy installation, heavy-duty relay for high switching capacity. Available as square surface-mounted and concealed version.

Technical specifications

Type	Motion detectors
Dimensions (L x W x H)	78 x 94 x 94 mm
Mains power supply	220 – 240 V / 50 – 60 Hz
Sensor Technology	passive infrared
Application, place	Indoors
Application, place, room	high-bay warehouse, Indoors
Installation site	ceiling
Installation	Concealed wiring
Switching zones	280 switching zones
Electronic scalability	No
Mechanical scalability	No
Mounting height	4,00 – 14,00 m
Optimum mounting height	12 m
Detection angle	360 °
Angle of aperture	9 °
Sneak-by guard	Yes
Capability of masking out individual segments	Yes
Reach, radial	30 x 4 m (120 m ²)
Reach, tangential	30 x 4 m (120 m ²)

Twilight setting TEACH	Yes
Twilight setting	2 – 1000 lx
Time setting	5 s – 15 min
Switching output 1, resistive	2000 W
Switching output 1, number of LEDs / fluorescent lamps	8 pcs.
Constant-lighting control	No
Basic light level function	No
Functions	Normal / test mode, Manual ON / ON-OFF
Settings via	Remote control, Potentiometers, Smart Remote
With remote control	No
Interconnection	Yes
IP-rating	IP20
Material	Plastic
Ambient temperature	-20 – 50 °C
Colour	white
Colour, RAL	9003
Manufacturer's Warranty	5 years
Version	COM1 - concealed, sq.
PU1, EAN	4007841033910

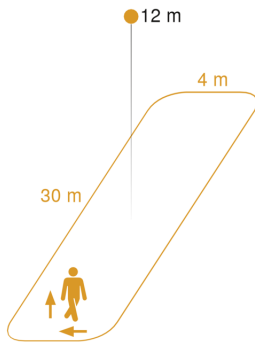
IS 345 MX Highbay

COM1 - concealed, sq.
EAN 4007841 033910

Accessories

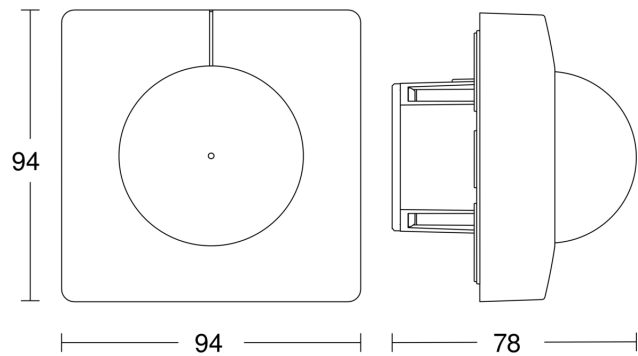
EAN 4007841 009151	Remote control Smart Remote
EAN 4007841 559410	Service remote control RC8
EAN 4007841 056728	Black cover for IR-sensors

Detection Zone

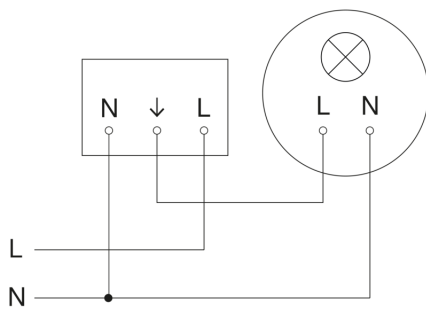


Mögliche Montagehöhe: 4,00 m – 14,00 m
Orange: radial und tangential

Dimension Drawing



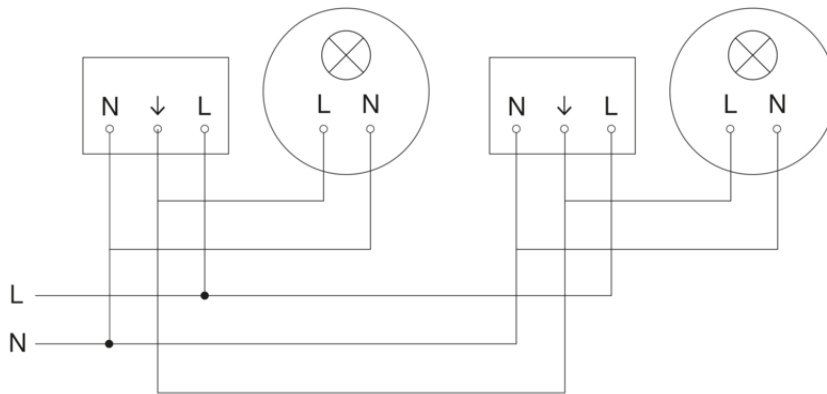
Master circuit diagram



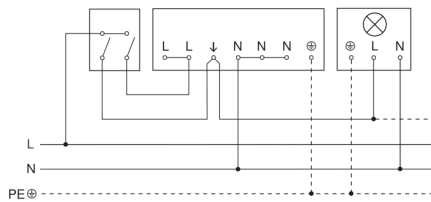
IS 345 MX Highbay

COM1 - concealed, sq.
EAN 4007841 033910

Master/slave interconnection circuit diagram



Connection using two-circuit switch for manual and automatic operation



Connection via a two-way switch for manual override and automatic operation

