

Motion detector - Professional Line

# IS 345 MX Highbay

DALI-2 APC - surface, sq.  
EAN 4007841 010591  
Article number 010591



infrared sensor  
360°



max. 30 x 4 m



IP54



2 - 1000 lux



5 sec - 15 min



manual override  
4h



ideal 4 - 14 m

Teach

Teach mode



energy saving

5 years

manufacturer's  
warranty  
[steinel-professional.de/garantie](https://www.steinel.de/garantie)

## Function description

Surveillance on the highest level. Infrared motion detector IS 345 MX Highbay for indoors, ideal for large heights in depots, high-bay warehouses, machine shops, check-in areas and departure lounges, installation height 14 m, detection zone 30 x 4 m (radial), large terminal compartment for easy installation. Available as square surface-mounted and concealed version.

# IS 345 MX Highbay

DALI-2 APC - surface, sq.

EAN 4007841 010591

Article number 010591



## Technical specifications

Type	Motion detectors
Dimensions (L x W x H)	65 x 95 x 95 mm
Mains power supply	220 – 240 V / 50 – 60 Hz
Sensor Technology	passive infrared
Application, place	Indoors
Installation site	ceiling
Installation	Surface wiring
Mounting height	4,00 – 14,00 m
Reach, radial	30 x 4 m (120 m <sup>2</sup> )
Reach, tangential	30 x 4 m (120 m <sup>2</sup> )
Detection angle	360 °
Angle of aperture	45 °
Switching zones	280 switching zones
Optimum mounting height	12 m
Mechanical scalability	No
Sneak-by guard	Yes
Capability of masking out individual segments	Yes
Electronic scalability	No
Twilight setting TEACH	Yes
Twilight setting	2 – 1000 lx
Time setting	5 s – 15 Min.
Control output, Dali	Broadcast 1x30 electronic ballasts

Constant-lighting control	Yes
Basic light level function	Yes
Basic light level function in per cent	10 – 50 %
Basic light level function time	1-30 min, all night
Basic light level function percentage, from	10 %
Basic light level function percentage, up to	50 %
Functions	Normal / test mode, Manual ON / ON-OFF, Constant-lighting control ON-OFF
Settings via	Remote control, Potentiometers, Smart Remote
With remote control	No
Interconnection	Yes
Type of interconnection	Master/slave
IP-rating	IP54
Material	Plastic
Ambient temperature	-20 – 50 °C
Application, room	high-bay warehouse, Indoors
Colour	white
Colour, RAL	9003
IDs, certificates	DALI-2
Manufacturer's Warranty	5 years
Version	DALI-2 APC - surface, sq.
PU1, EAN	4007841010591

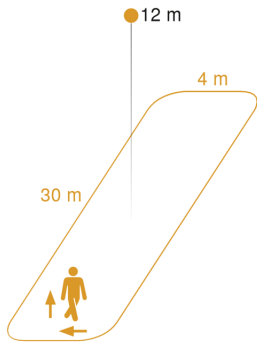
## Accessories

EAN 4007841 009151	Remote control Smart Remote
EAN 4007841 559410	Service remote control RC8
EAN 4007841 592806	User remote control RC5
EAN 4007841 056711	Black cover for IR-sensors

# IS 345 MX Highbay

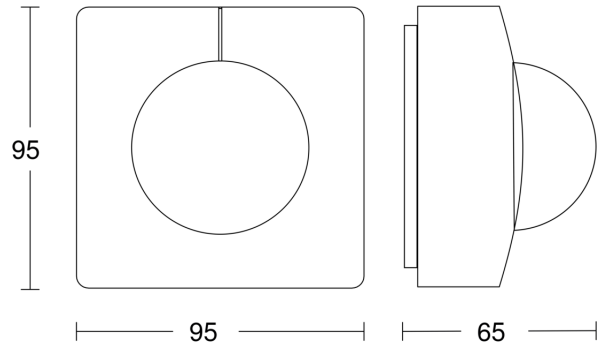
DALI-2 APC - surface, sq.  
 EAN 4007841 010591  
 Article number 010591

## Detection Zone

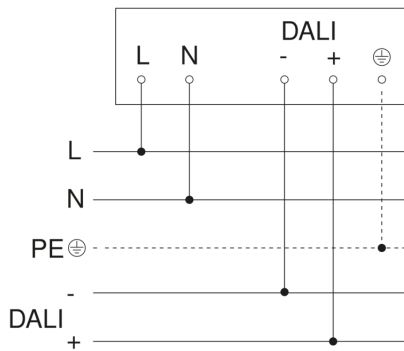


Mögliche Montagehöhe: 4,00 m – 14,00 m  
 Orange: radial und tangential

## Dimension Drawing



## Master circuit diagram



## Circuit diagram for interconnecting DALI-2 APC with DALI-2 IPD

