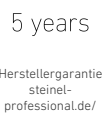
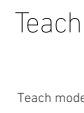
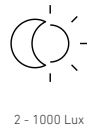


IS 345

DALI-2 APC - concealed, sq.
 EAN 4007841 033866
 Article number 033866



Herstellergarantie
 steinel-
 professional.de/
 garantie

Function description

Huge reach. Infrared motion detector IS 345 for indoors and out, ideal for passageways, corridors and commonly used spaces, installation height 5 m, detection zone 12 x 6 m (radial) and 23 x 6 m (tangential). Available either in round or square surface-mounted and concealed version.

Technical specifications

Dimensions (L x W x H)	78 x 94 x 94 mm	Optimum mounting height	2,8 m
Manufacturer's Warranty	5 years	Detection angle	Aisle, 360 °
Settings via	Remote control, Potentiometers, Smart Remote	Angle of aperture	45 °
With remote control	No	Sneak-by guard	Yes
Version	DALI-2 APC - concealed, sq.	Capability of masking out individual segments	Yes
PU1, EAN	4007841033866	Electronic scalability	No
Type	Motion detectors	Mechanical scalability	No
Application, place	Indoors	Reach, radial	12 x 6 m (72 m ²)
Application, room	corridor / aisle, multi-storey / underground car park, Indoors	Reach, tangential	23 x 6 m (138 m ²)
Colour	white	Switching zones	280 switching zones
Colour, RAL	9003	Functions	Normal / test mode, Manual ON / ON-OFF, Constant-lighting control ON-OFF
Includes corner wall mount	No	Twilight setting	2 – 1000 lx
Installation site	ceiling	Time setting	5 s – 15 Min.
Installation	Concealed wiring, Ceiling	Basic light level function	Yes
IP-rating	IP20	Basic light level function time	1-30 min, all night
Ambient temperature	-20 – 50 °C		

IS 345

DALI-2 APC - concealed, sq.
EAN 4007841 033866
Article number 033866



Technical specifications

Material	Plastic	Main light adjustable	50 - 100 %
Mains power supply	220 - 240 V / 50 - 60 Hz	Twilight setting TEACH	Yes
Steuerausgang, Dali	Broadcast 1x30 electronic ballasts	Constant-lighting control	Yes
Technology, sensors	passive infrared, Light sensor	Interconnection	Yes
Mounting height	2,50 - 5,00 m	Type of interconnection	Master/slave
Mounting height max.	5,00 m	Interconnection via	Cable

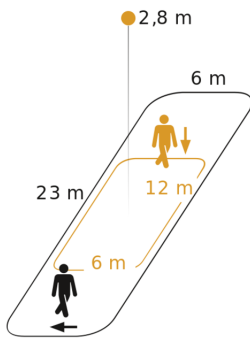
Accessories

EAN 4007841 592806	User remote control RC5
EAN 4007841 559410	Service remote control RC8
EAN 4007841 009151	Remote control Smart Remote
EAN 4007841 056728	Black cover for IR-sensors

IS 345

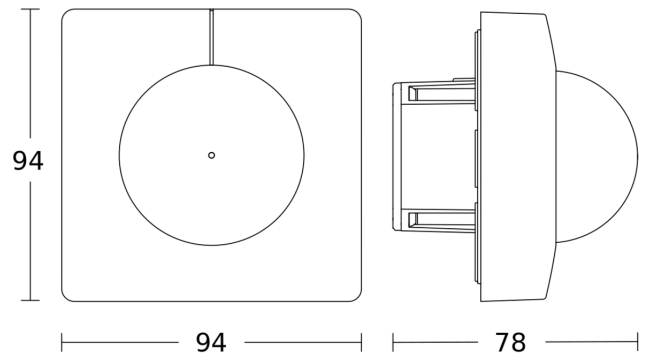
DALI-2 APC - concealed, sq.
 EAN 4007841 033866
 Article number 033866

Detection Zone

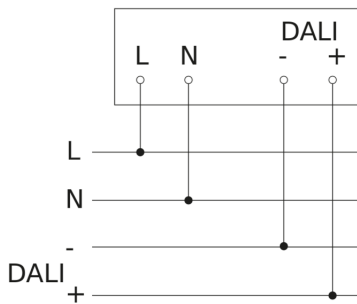


Possible mounting height: 2,50 m - 5,00 m
 Orange: radial
 Black: tangential

Dimension Drawing



Master circuit diagram



Circuit diagram for interconnecting DALI-2 APC with DALI-2 IPD

