

IS 345

DALI-2 IPD - concealed, sq.
EAN 4007841 057282



infrared sensor
360°



max. 20 x 4 m



IP20



2 - 1000 lux



ideal 2.5 - 5 m



energy saving



manufacturer's
warranty
steinel-professional.de/garantie



CE

Function description

Huge reach. Infrared motion detector IS 345 for indoors and out, ideal for passageways, corridors and commonly used spaces, installation height 5 m, detection zone 12 x 6 m (radial) and 23 x 6 m (tangential). Available either in round or square surface-mounted and concealed version. DALI-2 Input Device enables sensors to communicate collected sensor data to higher-level lighting management systems.

Technical specifications

Type	Motion detectors
Dimensions (L x W x H)	78 x 94 x 94 mm
Mains power supply	12 – 22,5 V / 50 – 60 Hz
Sensor Technology	passive infrared
Application, place	Indoors
Application, place, room	corridor / aisle, multi-storey / underground car park, Indoors
Installation site	ceiling
Installation	Concealed wiring
Switching zones	280 switching zones
Electronic scalability	No
Mechanical scalability	No
Mounting height	2,5 – 5 m
Optimum mounting height	2,8 m
Detection angle	360 °
Angle of aperture	45 °
Sneak-by guard	Yes
Capability of masking out individual segments	Yes
Reach, radial	12 x 6 m (72 m ²)
Reach, tangential	23 x 6 m (138 m ²)

Twilight setting TEACH	Yes
Twilight setting	2 – 1000 lx
Time setting	5 s – 15 Min.
Control output, Dali	Addressable/slave
Constant-lighting control	No
Basic light level function	No
Basic light level function time	1-30 min, all night
With bus coupling	Yes
Settings via	Bus
With remote control	No
Interconnection	Yes
IP-rating	IP20
Material	Plastic
Ambient temperature	-20 – 50 °C
Colour	white
Colour, RAL	9003
Manufacturer's Warranty	5 years
Version	DALI-2 IPD - concealed, sq.
PU1, EAN	4007841057282

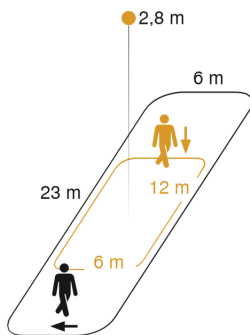
IS 345

DALI-2 IPD - concealed, sq.
EAN 4007841 057282

Accessories

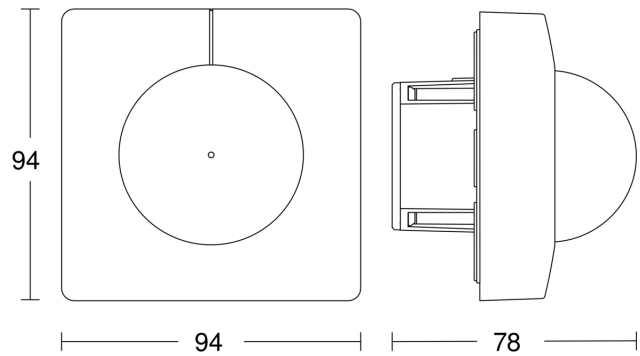
EAN 4007841 009151	Remote control Smart Remote
EAN 4007841 056728	Black cover for IR-sensors

Detection Zone



Mögliche Montagehöhe: 2,50 m – 5,00 m
Orange: radial
Schwarz: tangential

Dimension Drawing



Circuit diagram

