

Motion detector - Professional Line

# IS 345

DALI-2 APC - concealed, rd.  
EAN 4007841 033873  
Article number 033873



infrared sensor  
360°



max. 20 x 4 m



IP20



2 - 1000 lux



5 sec - 15 min



manual override  
4h



ideal 2,5 - 5 m

Teach

Teach mode



energy saving

5 years

manufacturer's  
warranty  
[steinel-professional.de/garantie](http://steinel-professional.de/garantie)

## Function description

Huge reach. Infrared motion detector IS 345 for indoors and out, ideal for passageways, corridors and commonly used spaces, installation height 5 m, detection zone 12 x 6 m (radial) and 23 x 6 m (tangential). Available either in round or square surface-mounted and concealed version.

# IS 345

DALI-2 APC - concealed, rd.  
 EAN 4007841 033873  
 Article number 033873



## Technical specifications

Type	Motion detectors
Dimensions (Ø x H)	124 x 78 mm
Mains power supply	220 – 240 V / 50 – 60 Hz
Sensor Technology	passive infrared
Application, place	Indoors
Installation site	ceiling
Installation	Concealed wiring
Mounting height	2,50 – 5,00 m
Reach, radial	12 x 6 m (72 m <sup>2</sup> )
Reach, tangential	23 x 6 m (138 m <sup>2</sup> )
Detection angle	360 °
Angle of aperture	45 °
Switching zones	280 switching zones
Optimum mounting height	2,8 m
Mechanical scalability	No
Sneak-by guard	Yes
Capability of masking out individual segments	Yes
Electronic scalability	No
Twilight setting TEACH	Yes
Twilight setting	2 – 1000 lx
Time setting	5 s – 15 Min.
Control output, Dali	Broadcast 1x30 electronic ballasts

Constant-lighting control	Yes
Basic light level function	Yes
Basic light level function in per cent	10 – 50 %
Basic light level function time	1-30 min, all night
Basic light level function percentage, from	10 %
Basic light level function percentage, up to	50 %
Functions	Normal / test mode, Manual ON / ON-OFF, Constant-lighting control ON-OFF
Settings via	Remote control, Potentiometers, Smart Remote
With remote control	No
Interconnection	Yes
Type of interconnection	Master/slave
IP-rating	IP20
Material	Plastic
Ambient temperature	-20 – 50 °C
Application, room	corridor / aisle, multi-storey / underground car park, Indoors
Colour	white
Colour, RAL	9003
IDs, certificates	DALI-2
Manufacturer's Warranty	5 years
Version	DALI-2 APC - concealed, rd.
PU1, EAN	4007841033873

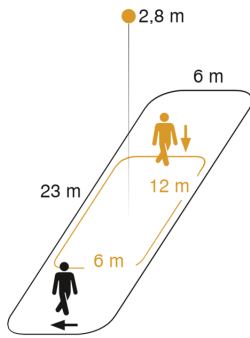
## Accessories

EAN 4007841 009151	Remote control Smart Remote
EAN 4007841 559410	Service remote control RC8
EAN 4007841 592806	User remote control RC5
EAN 4007841 056742	Black cover for IR-sensors

# IS 345

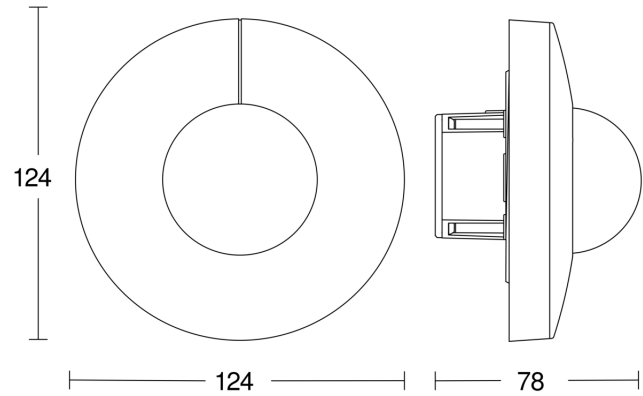
DALI-2 APC - concealed, rd.  
 EAN 4007841 033873  
 Article number 033873

## Detection Zone

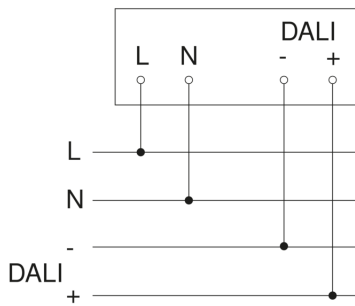


Mögliche Montagehöhe: 2,50 m – 5,00 m  
 Orange: radial  
 Schwarz: tangential

## Dimension Drawing



## Master circuit diagram



## Circuit diagram for interconnecting DALI-2 APC with DALI-2 IPD

