

Motion detector

IS 360-3

white

EAN 4007841 006532



infrared sensor
360°



max. 12 m

2000w

max. 2000 W



IP54



2 - 1000 lux



5 sec - 15 min



Ideal 2 m



energy saving



3 JAHRE
HERSTELLER
GARANTIE
steinel.de/garantie



CE

Function description

The multi-talent for indoors and outdoors. Infrared wall sensor IS 360-3, ideal for mounting under soffits, in carports, on large building facades and driveways, 3 pyro sensors for a 360° angle of coverage, reach can be set up to 12 m, selectable time and twilight threshold, detection zone can be customised with shrouds.

Technical specifications

Type	Motion detectors
Dimensions (Ø x H)	121 x 57 mm
Mains power supply	220 – 240 V / 50 – 60 Hz
Sensor Technology	passive infrared
Application, place	Outdoors, Indoors
Application, place, room	outdoors, all round the building, Indoors
Installation site	ceiling
Installation	Surface wiring
Switching zones	972 switching zones
Electronic scalability	No
Mechanical scalability	No
Mounting height	2,50 – 6,00 m
Optimum mounting height	2,8 m
Detection angle	360 °
Angle of aperture	90 °
Sneak-by guard	Yes
Capability of masking out individual segments	Yes
Reach, radial	Ø 12 m (113 m ²)
Reach, tangential	Ø 24 m (452 m ²)

Twilight setting TEACH	No
Twilight setting	2 – 1000 lx
Time setting	5 s – 15 Min.
Switching output 1, resistive	2000 W
Switching output 1, number of LEDs / fluorescent lamps	8 pcs.
Constant-lighting control	No
Basic light level function	No
Settings via	Potentiometers
With remote control	No
Interconnection	Yes
IP-rating	IP54
Material	Plastic
Ambient temperature	-20 – 50 °C
Colour	white
Colour, RAL	9010
Manufacturer's Warranty	3 years
Version	white
PU1, EAN	4007841006532

Motion detector

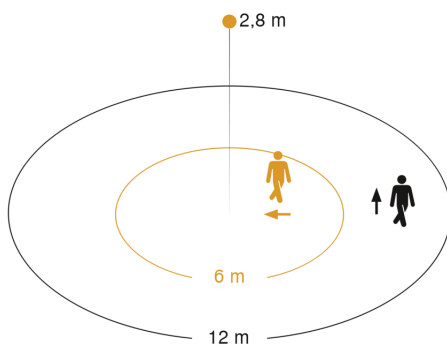
IS 360-3

white

EAN 4007841 006532



Detection Zone

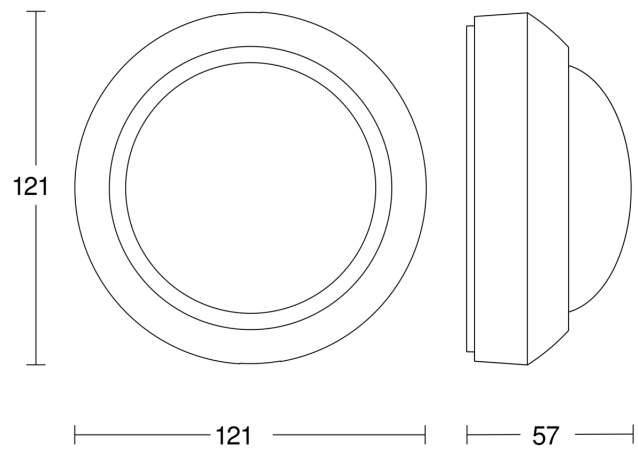


Mögliche Montagehöhe: 2,50 m – 6,00 m

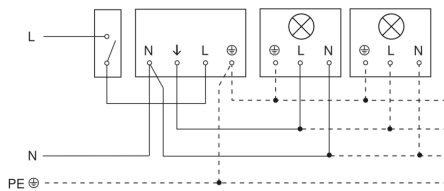
Orange: radial

Schwarz: tangential

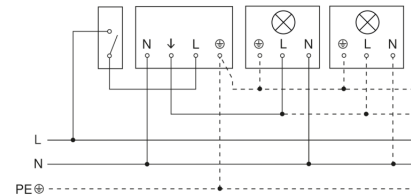
Dimension Drawing



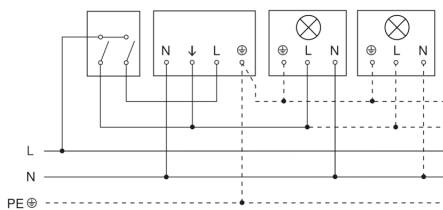
Light without neutral conductor



Light with neutral conductor



Connection using two-circuit switch for manual and automatic operation



Connection via a two-way switch for manual override and automatic operation

