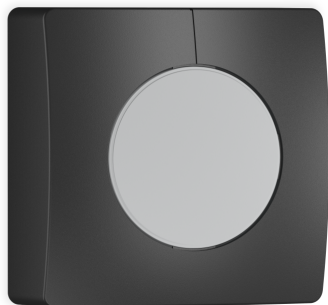


Photo-cell controller - Professional Line

NightMatic 5000-3

DALI-2 Application Controller - black

EAN 4007841 033729



Twilight switch +
eco-mode

2000w

max. 2000 W



IP54



2 - 1000 lux



manufacturer's
warranty
steinel-professional.de/garantie



CE



VDE

Function description

Intelligent lighting control. NightMatic 5000-3 photo-electric lighting controller for indoors and out, ideal for illuminating shop windows, advertising and specific areas through the night, diffuse light measurement for monitoring the complete ambient brightness, unique night economy mode.

Technical specifications

| | | | |
|----------------------------|------------------------------------|-------------------------|--|
| Type | Photo-cell controller | Functions | Normal / test mode, Manual ON / ON-OFF, Constant-lighting control ON-OFF |
| Dimensions (L x W x H) | 42 x 95 x 95 mm | Settings via | Remote control, Potentiometers, Smart Remote |
| Mains power supply | 220 – 240 V / 50 – 60 Hz | IP-rating | IP54 |
| Sensor Technology | Light sensor | Material | Plastic |
| Application, place | Indoors | Ambient temperature | -20 – 50 °C |
| Installation site | wall, corner | Colour | black |
| Installation | Surface wiring | Colour, RAL | 9005 |
| Twilight setting | 2 – 1000 lx | Manufacturer's Warranty | 5 years |
| Control output, Dali | Broadcast 1x30 electronic ballasts | Version | DALI-2 Application Controller - black |
| Basic light level function | Yes | PU1, EAN | 4007841033729 |

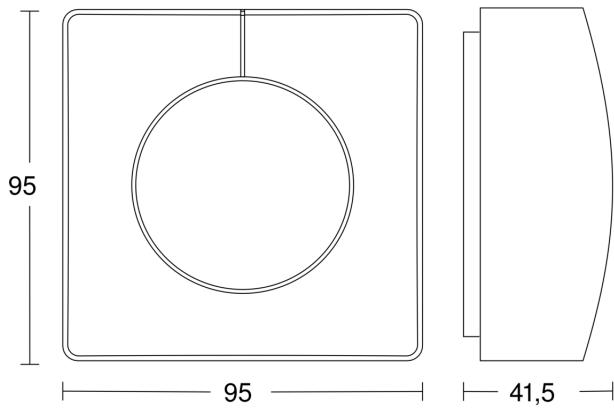
Accessories

| | |
|--------------------|----------------------------|
| EAN 4007841 648015 | Corner wall mount 3000 |
| EAN 4007841 035174 | Corner wall mount 3000 |
| EAN 4007841 559410 | Service remote control RC8 |

NightMatic 5000-3

DALI-2 Application Controller - black
EAN 4007841 033729

Dimension Drawing



Master circuit diagram

