

NightMatic 5000-3

COM1 - black

EAN 4007841 011680

Article number 011680



Twilight switch +
eco-mode

2000 W

2000 W max.
(LED-ready)



IP54



2 - 1000 lux

5 years

manufacturer's
warranty
steinel-professional.de/garantie



CE



VDE

Function description

Intelligent lighting control. NightMatic 5000-3 photo-electric lighting controller for indoors and out, ideal for illuminating shop windows, advertising and specific areas through the night, diffuse light measurement for monitoring the complete ambient brightness, unique night economy mode, heavy-duty relay for high switching capacity.

Technical specifications

Type	Photo-cell controller	LED lamps > 2 W	300 W
Dimensions (L x W x H)	42 x 95 x 95 mm	LED lamps > 8 W	600 W
Mains power supply	220 – 240 V / 50 – 60 Hz	Capacitive load in µF	176 µF
Sensor Technology	Light sensor	Constant-lighting control	No
Application, place	Outdoors, Indoors	Basic light level function	No
Installation site	wall, corner	Functions	Night economy mode, light ON / OFF in the morning
Installation	Surface wiring	Settings via	Remote control, Potentiometers, Smart Remote
Twilight setting TEACH	Yes	Interconnection	Yes
Twilight setting	2 – 1000 lx	Type of interconnection	Master/master
Output	2000 W	IP-rating	IP54
Switching output 1, resistive	2000 W	Material	Plastic
Switching output 1, number of LEDs / fluorescent lamps	8 pcs.	Ambient temperature	-20 – 50 °C
Fluorescent lamps, electronic ballast	1500 W	Application, room	outdoors
Fluorescent lamps, uncorrected	1000 VA	Colour	black
Fluorescent lamps, series-corrected	400 VA	Colour, RAL	9005
Fluorescent lamps, parallel-corrected	400 VA	Manufacturer's Warranty	5 years
Switching output 1, low-voltage halogen lamps	2000 VA	Version	COM1 - black
LED lamps	100 W	PU1, EAN	4007841011680

NightMatic 5000-3

COM1 - black

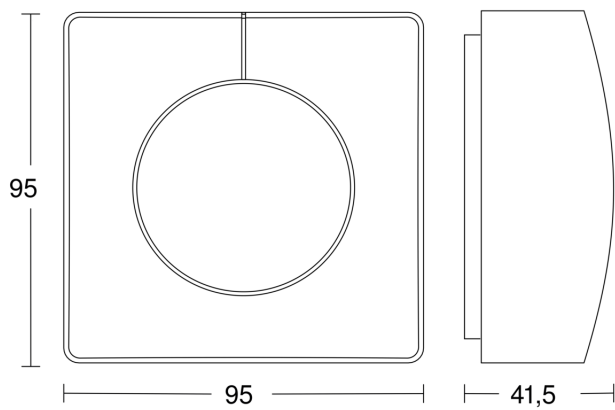
EAN 4007841 011680

Article number 011680

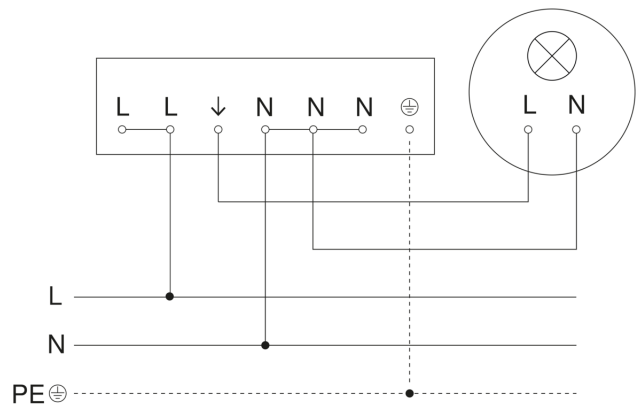
Accessories

EAN 4007841 648015	Corner wall mount 3000
EAN 4007841 035174	Corner wall mount 3000
EAN 4007841 559410	Service remote control RC8

Dimension Drawing



Master circuit diagram



Master/slave interconnection circuit diagram

