

Photo-cell controller - Professional Line

NightMatic 5000-3

COM1 - white

EAN 4007841 011697



Twilight switch +
eco-mode

2000w

max. 2000 W



IP54



2 - 1000 lux



5 JAHRE
HERSTELLER
GARANTIE
steinel-professional.de/garantie



CE



VDE

Function description

Intelligent lighting control. NightMatic 5000-3 photo-electric lighting controller for indoors and out, ideal for illuminating shop windows, advertising and specific areas through the night, diffuse light measurement for monitoring the complete ambient brightness, unique night economy mode, heavy-duty relay for high switching capacity.

Technical specifications

Type	Photo-cell controller	Functions	Night economy mode, light ON / OFF in the morning
Dimensions (L x W x H)	42 x 95 x 95 mm	Settings via	Remote control, Potentiometers, Smart Remote
Mains power supply	220 – 240 V / 50 – 60 Hz	IP-rating	IP54
Sensor Technology	Light sensor	Material	Plastic
Application, place	Indoors	Ambient temperature	-20 – 50 °C
Installation site	wall, corner	Colour	white
Installation	Surface wiring	Colour, RAL	9003
Twilight setting	2 – 1000 lx	Manufacturer's Warranty	5 years
Switching output 1, resistive	2000 W	Version	COM1 - white
Switching output 1, number of LEDs / fluorescent lamps	8 pcs.	PU1, EAN	4007841011697
Basic light level function	No		

Accessories

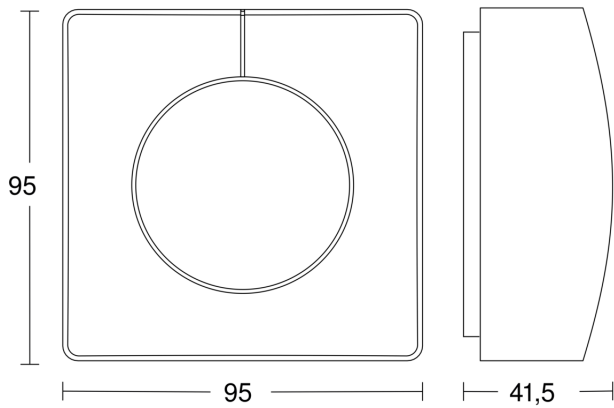
EAN 4007841 648015	Corner wall mount 3000
EAN 4007841 035174	Corner wall mount 3000
EAN 4007841 559410	Service remote control RC8

NightMatic 5000-3

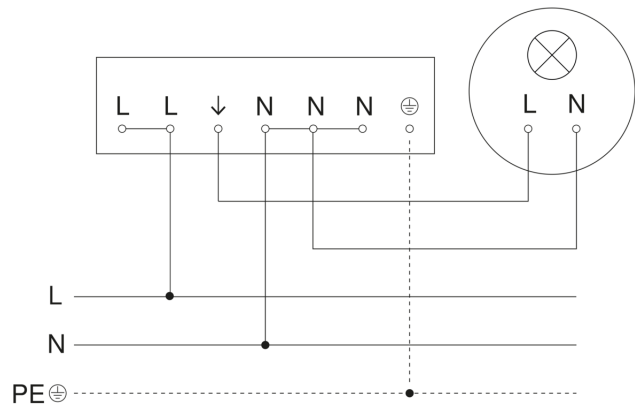
COM1 - white

EAN 4007841 011697

Dimension Drawing



Master circuit diagram



Master/slave interconnection circuit diagram

