

# NightMatic 5000-3

DALI-2 Application Controller - white

EAN 4007841 011703



Twilight switch +  
eco-mode

2000w

max. 2000 W



IP54



2 - 1000 lux



manufacturer's  
warranty  
steinel-professional.de/garantie



CE



VDE

## Function description

Intelligent lighting control. NightMatic 5000-3 photo-electric lighting controller for indoors and out, ideal for illuminating shop windows, advertising and specific areas through the night, diffuse light measurement for monitoring the complete ambient brightness, unique night economy mode.

## Technical specifications

Type	Photo-cell controller	Functions	Normal / test mode, Manual ON / ON-OFF, Constant-lighting control ON-OFF
Dimensions (L x W x H)	42 x 95 x 95 mm	Settings via	Remote control, Potentiometers, Smart Remote
Mains power supply	220 – 240 V / 50 – 60 Hz	IP-rating	IP54
Sensor Technology	Light sensor	Material	Plastic
Application, place	Indoors	Ambient temperature	-20 – 50 °C
Installation site	wall, corner	Colour	white
Installation	Surface wiring	Colour, RAL	9003
Twilight setting	2 – 1000 lx	Manufacturer's Warranty	5 years
Control output, Dali	Broadcast 1x30 electronic ballasts	Version	DALI-2 Application Controller - white
Basic light level function	Yes	PU1, EAN	4007841011703

## Accessories

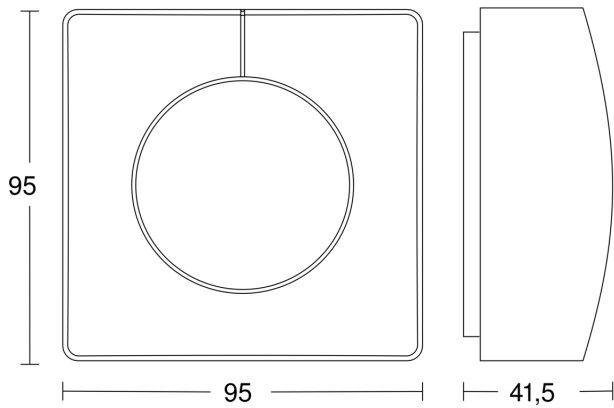
EAN 4007841 648015	Corner wall mount 3000
EAN 4007841 035174	Corner wall mount 3000
EAN 4007841 559410	Service remote control RC8

# NightMatic 5000-3

DALI-2 Application Controller - white

EAN 4007841 011703

## Dimension Drawing



## Master circuit diagram

