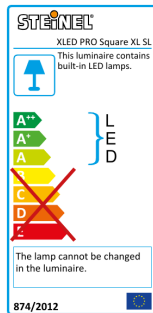


XLED PRO Square XL SL

white

EAN 4007841 009984



LED

48w



4000K neutral white



IP54



360° horizontal, 90° vertical



soft light start



3% basic brightness



manual override



energy saving

5 JAHRE
HERSTELLER
GARANTIE

manufacturer's warranty
steinel-professional.de/garantie

Function description

Extra brightness. XLED PRO Square XL SL – the tilting and turning slave version without sensor in black or white. Ingenious lens matrix for illuminating large areas with 4400 lm of day-bright light (48 W). Basic-light LEDs for better orientation. High-quality aluminium heat sink. Interconnection via cable.

Technical specifications

Dimensions (L x W x H)	130 x 178 x 208 mm	Basic light level function time	10 min, 30 min, all night
Mains power supply	220 – 240 V / 50 – 60 Hz	Soft light start	No
Output	48 W	Continuous light	selectable, 4h
Luminous flux	4400 lm	Impact resistance	IK03
Colour temperature	4000 K	IP-rating	IP54
Colour variation LED	SDCM3	Protection class	I
Colour Rendering Index CRI	80-89	Ambient temperature	-20 – 40 °C
With lamp	Yes, STEINEL LED system	Housing material	Aluminium
Lamp	LED cannot be replaced	Cover material	Plastic, transparent
LED life expectancy (max. °C)	50000 h	Manufacturer's Warranty	5 years
Drop in luminous flux in accordance with LM80	L70B10	PU1, net weight	1,811 kg
LED cooling system	Passive Thermo Control	Version	white
With motion detector	No	PU1, EAN	4007841009984
Photo-cell controller	No		

Accessories

EAN 4007841 007638 Remote control RC9

LED Floodlight - Professional Line

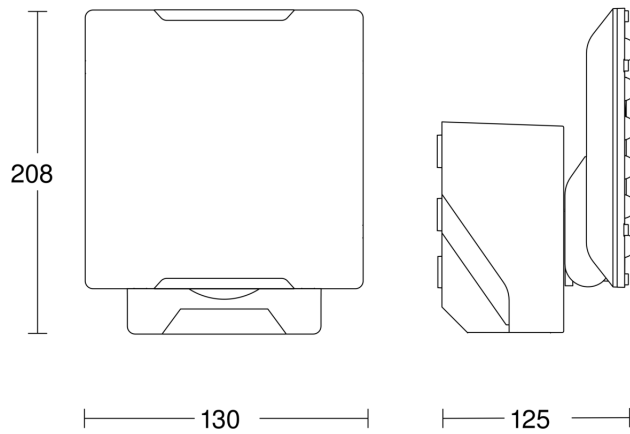
XLED PRO Square XL SL

white

EAN 4007841 009984



Dimension Drawing



Slave circuit diagram

