

Presence detector - Professional Line

## Dual HF

COM1 - Surface wiring

EAN 4007841 590703

Article number 590703



Twice as vigilant. High-frequency corridor sensor Presence Control PRO DUAL HF COM1 AP for indoors, ideal for passageways and long corridors, installation height up to 3.5 m, surface-mounting version for switching light 'ON' and 'OFF', DUAL-HF technology for radial detection over 20 m in two directions, detection regardless of temperature, HF-sensor technology also detects movement through glass, wood and stud walls, light switches 'ON' almost instantly.

# Dual HF

COM1 - Surface wiring  
 EAN 4007841 590703  
 Article number 590703



## Technical specifications

Type	Presence detector
Dimensions (L x W x H)	70 x 120 x 120 mm
Mains power supply	230 V / 50 – 60 Hz
Sensor Technology	High frequency
Application, place	Indoors
Installation site	ceiling
Installation	Surface wiring
Mounting height	2,50 – 3,50 m
Reach, radial	20 x 3 m (60 m <sup>2</sup> )
Reach, tangential	20 x 3 m (60 m <sup>2</sup> )
HF-system	5,8 GHz
Detection angle	360 °
Angle of aperture	140 °
Optimum mounting height	2,8 m
Mechanical scalability	No
Sneak-by guard	Yes
Capability of masking out individual segments	No
Electronic scalability	Yes
Detection	also through glass, wood and stud walls
Twilight setting TEACH	Yes
Twilight setting	10 – 1000 lx
Time setting	30 s – 30 Min.
Output	2000 W
Fluorescent lamps, electronic ballast	1500 W

Fluorescent lamps, uncorrected	1000 VA
Fluorescent lamps, series-corrected	1000 VA
Fluorescent lamps, parallel-corrected	1000 VA
Switching output 1, low-voltage halogen lamps	2000 VA
LED lamps	100 W
LED lamps > 2 W	300 W
LED lamps > 8 W	600 W
Capacitive load in µF	176 µF
Constant-lighting control	No
Basic light level function	No
Functions	Normal / test mode, Semi-/fully automatic, Pushbutton / switch mode, Manual ON / ON-OFF
Settings via	Remote control, DIP switches, Potentiometers, Smart Remote
With remote control	No
Interconnection	Yes
Type of interconnection	Master/master, Master/slave
IP-rating	IP20
Material	Plastic
Ambient temperature	-25 – 55 °C
Application, room	corridor / aisle, Indoors
Colour	white
Colour, RAL	9010
Manufacturer's Warranty	5 years
Version	COM1 - Surface wiring
PU1, EAN	4007841590703

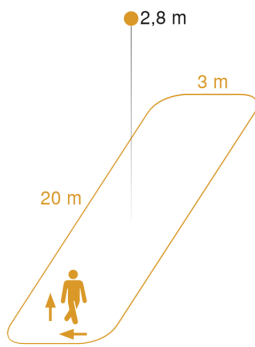
## Accessories

EAN 4007841 003036	Control PRO guard cage
EAN 4007841 000363	Surface-mounting adapter Control PRO AP Box (IP54)
EAN 4007841 009151	Remote control Smart Remote
EAN 4007841 559410	Service remote control RC8

# Dual HF

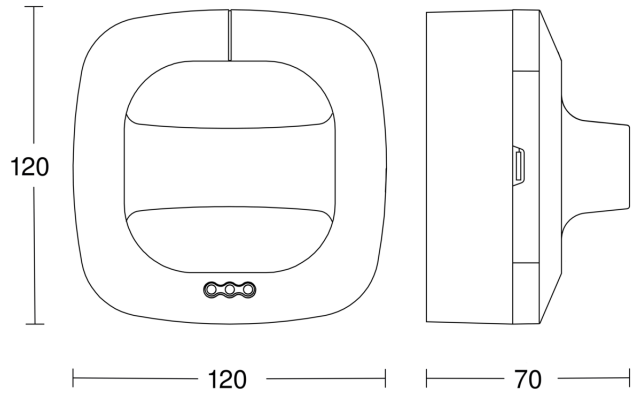
COM1 - Surface wiring  
EAN 4007841 590703  
Article number 590703

## Detection Zone

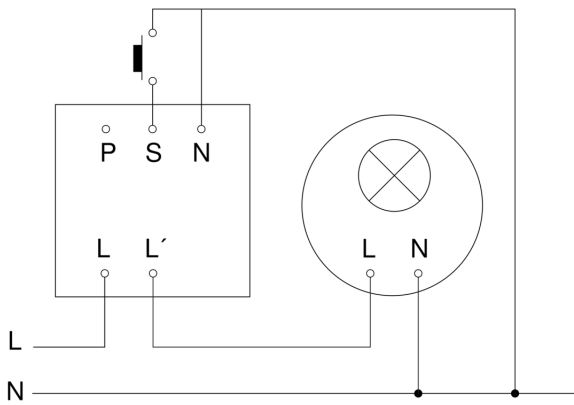


Mögliche Montagehöhe: 2,50 m – 3,50 m  
Orange: radial und tangential

## Dimension Drawing



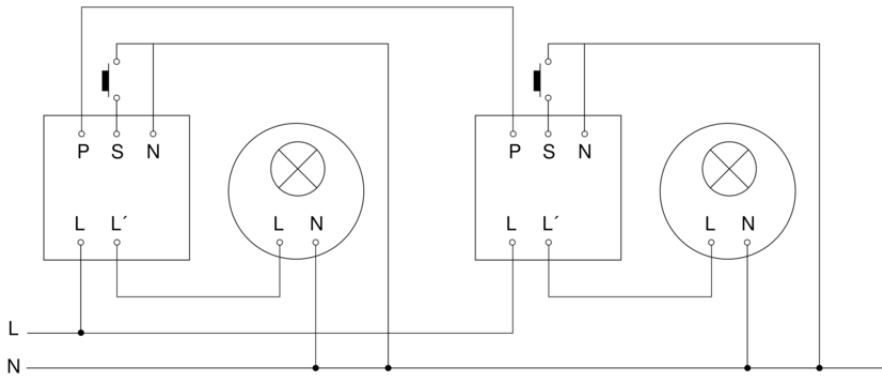
## Master circuit diagram



# Dual HF

COM1 - Surface wiring  
EAN 4007841 590703  
Article number 590703

Master/master interconnection circuit diagram



Master/slave interconnection circuit diagram

