

Presence detector - Professional Line

Dual HF

DALI-2 Application Controller
EAN 4007841 003005



high frequency
sensor 360°



max. 20 x 3 m



IP20



ideal 2.5 - 3.5 m



indoor sensor



IQ-mode

TEACH

Teach mode



energy saving



5 JAHRE
HERSTELLER
GARANTIE
Hersteller: steinel-professional.de



CE

manufacturer's
warranty
[steinel-professional.de/garantie](https://www.steinel-professional.de/garantie)

Function description

Twice as vigilant. High-frequency corridor sensor Presence Control PRO DUAL HF DALI-2 Application Controller for indoors, ideal for passageways and long corridors, installation height up to 3.5 m, with digital DALI-2 Application Controller interface for controlling 2 lighting channels, DUAL-HF technology for radial detection of 20 m in two directions, detection regardless of temperature, HF-sensor technology also detects movement through glass, wood and stud walls, switches light 'ON' almost instantly.

Dual HF

DALI-2 Application Controller
EAN 4007841 003005

Technical specifications

Type	Presence detector
Dimensions (L x W x H)	55 x 120 x 120 mm
Mains power supply	230 V / 50 – 60 Hz
Sensor Technology	High frequency
Application, place	Indoors
Application, place, room	corridor / aisle, Indoors
Installation site	ceiling
Installation	Concealed wiring
HF-system	5,8 GHz
Electronic scalability	Yes
Mechanical scalability	No
Mounting height	2,50 – 3,50 m
Optimum mounting height	2,8 m
Detection angle	360 °
Angle of aperture	140 °
Sneak-by guard	Yes
Reach, radial	20 x 3 m (60 m ²)
Reach, tangential	20 x 3 m (60 m ²)
Twilight setting TEACH	Yes
Twilight setting	10 – 1000 lx
Time setting	30 s – 30 Min.

Control output, Dali	Broadcast 2x12 electronic ballasts
Constant-lighting control	Yes
Basic light level function	Yes
Basic light level function in per cent	10 – 60 %
Basic light level function time	1-60 min, all night
Basic light level function percentage, from	10 %
Basic light level function percentage, up to	60 %
Functions	Normal / test mode, Semi-/fully automatic, Pushbutton / switch mode, Manual ON / ON-OFF, Constant-lighting control ON-OFF
Settings via	Remote control, DIP switches, Potentiometers, Smart Remote
With remote control	No
Interconnection	Yes
Type of interconnection	Master/slave
IP-rating	IP20
Material	Plastic
Ambient temperature	-25 – 50 °C
Colour	white
Colour, RAL	9010
Manufacturer's Warranty	5 years
Version	DALI-2 Application Controller
PU1, EAN	4007841003005

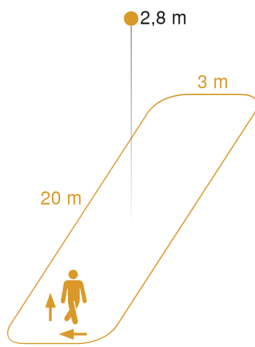
Accessories

EAN 4007841 006600	HF-ceiling adapter
EAN 4007841 592806	User remote control RC5
EAN 4007841 000363	Surface-mounting adapter Control PRO AP Box (IP54)
EAN 4007841 003036	Control PRO guard cage
EAN 4007841 009151	Remote control Smart Remote
EAN 4007841 559410	Service remote control RC8

Dual HF

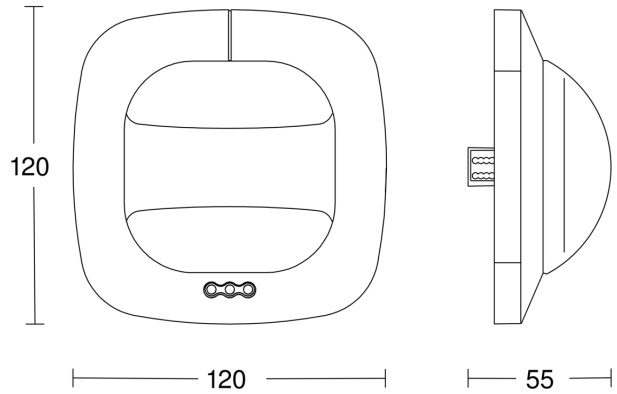
DALI-2 Application Controller
EAN 4007841 003005

Detection Zone

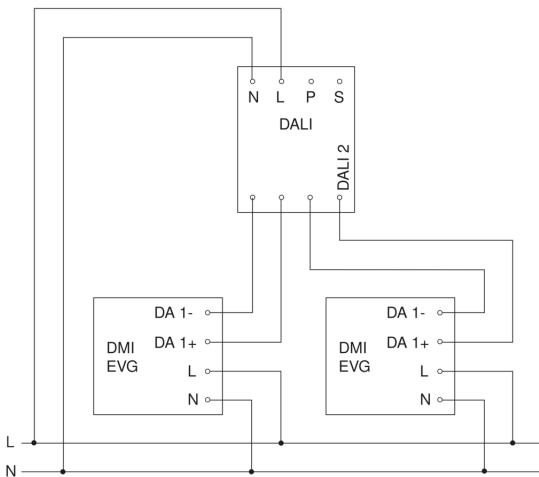


Mögliche Montagehöhe: 2,50 m – 3,50 m
Orange: radial und tangential

Dimension Drawing



Master circuit diagram



Master/slave interconnection circuit diagram

