

Presence detector - Professional Line

# HF 360

COM1

EAN 4007841 002800



high frequency  
sensor 360°



max. Ø 12 m



max. 2000 W



IP20



ideal 2,5 - 3,5 m



indoor sensor



iQ-mode



Teach mode



energy saving



5 JAHRE  
HERSTELLER  
GARANTIE  
www.steinel.de/garantie  
manufacturer's  
warranty  
steinel-professional.de/garantie

## Function description

Doesn't miss a thing. HF-presence detector Presence Control PRO HF 360 COM1 for indoors, ideal for WCs with toilet cubicles, changing rooms, stairwells, multi-storey car parks, kitchens, installation height up to 3.5 m, for switching light 'ON' and 'OFF', 1 – 12 m reach, reach is electronically adjustable and can be limited in two directions, detection regardless of temperature, HF-sensor technology also detects movement through glass, wood and stud walls.

# HF 360

COM1

EAN 4007841 002800

## Technical specifications

Type	Presence detector	Reach, tangential	Ø 12 m (113 m <sup>2</sup> )
Dimensions (L x W x H)	56 x 120 x 120 mm	Twilight setting TEACH	Yes
Mains power supply	230 V / 50 – 60 Hz	Twilight setting	10 – 1000 lx
Sensor Technology	High frequency	Time setting	30 s – 30 Min.
Application, place	Indoors	Constant-lighting control	No
Application, place, room	function room / ancillary room, kitchenette, stairwell, WC / washroom, Indoors	Basic light level function	No
Installation site	ceiling	Functions	Normal / test mode, Semi-/fully automatic, Pushbutton / switch mode, Manual ON / ON-OFF
Installation	Concealed wiring	Settings via	Remote control, DIP switches, Potentiometers, Smart Remote
HF-system	5,8 GHz	With remote control	No
Electronic scalability	Yes	Interconnection	Yes
Mechanical scalability	No	Type of interconnection	Master/slave, Master/master
Mounting height	2,50 – 3,50 m	IP-rating	IP20
Optimum mounting height	2,8 m	Material	Plastic
Detection	also through glass, wood and stud walls	Ambient temperature	-25 – 55 °C
Detection angle	360 °	Colour	white
Angle of aperture	160 °	Colour, RAL	9010
Sneak-by guard	Yes	Manufacturer's Warranty	5 years
Capability of masking out individual segments	Yes	Version	COM1
Reach, detail	1 or 2 detection directions can be masked out by stickers for adjustment to the room situation.	PU1, EAN	4007841002800
Reach, radial	Ø 12 m (113 m <sup>2</sup> )		

## Accessories

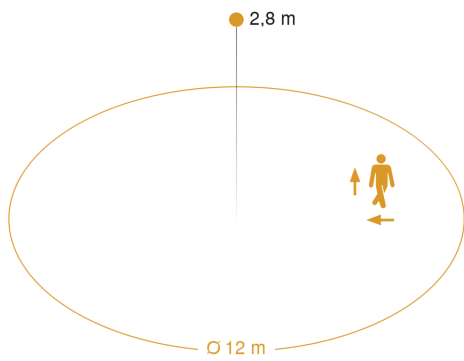
EAN 4007841 000363	Surface-mounting adapter Control PRO AP Box (IP54)
EAN 4007841 003036	Control PRO guard cage
EAN 4007841 009151	Remote control Smart Remote
EAN 4007841 006600	HF-ceiling adapter
EAN 4007841 559410	Service remote control RC8

# HF 360

COM1

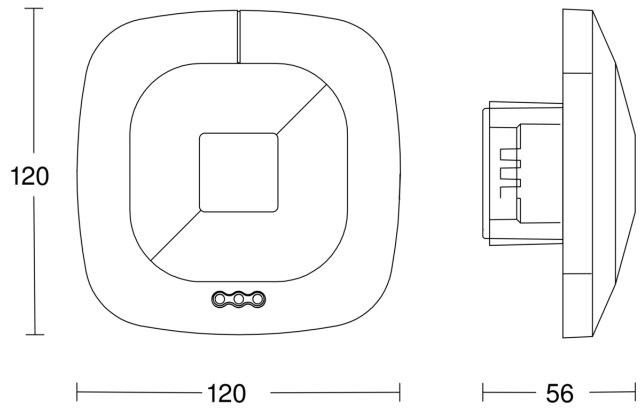
EAN 4007841 002800

## Detection Zone

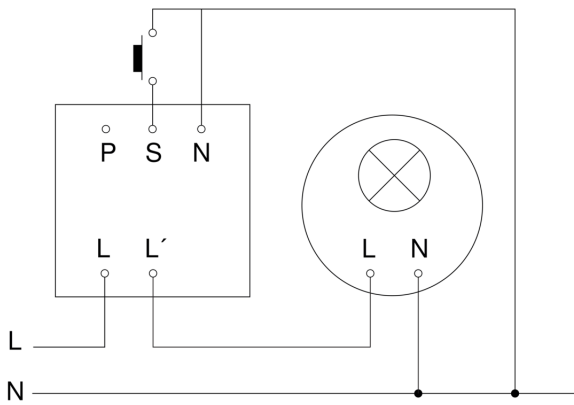


Mögliche Montagehöhe: 2,50 m – 3,50 m  
Orange: radial und tangential

## Dimension Drawing



## Master circuit diagram

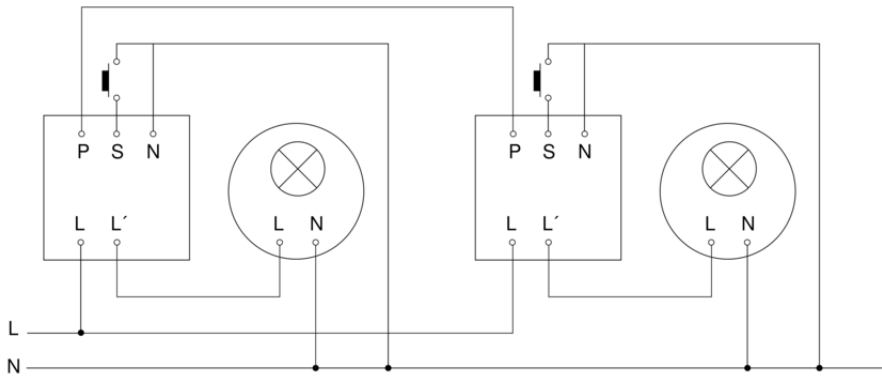


# HF 360

COM1

EAN 4007841 002800

Master/master interconnection circuit diagram



Master/slave interconnection circuit diagram

